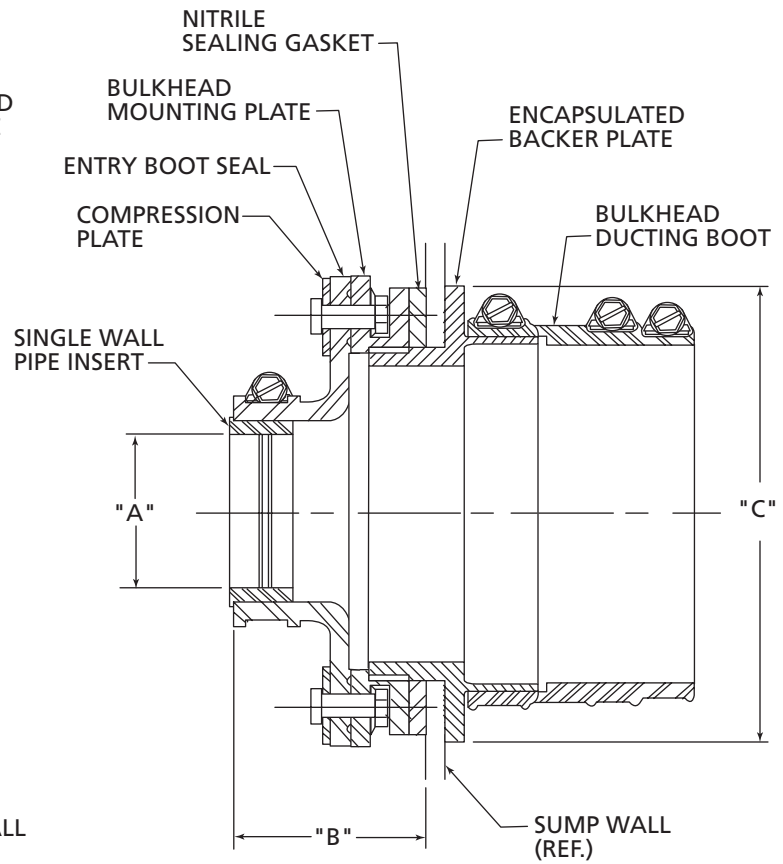
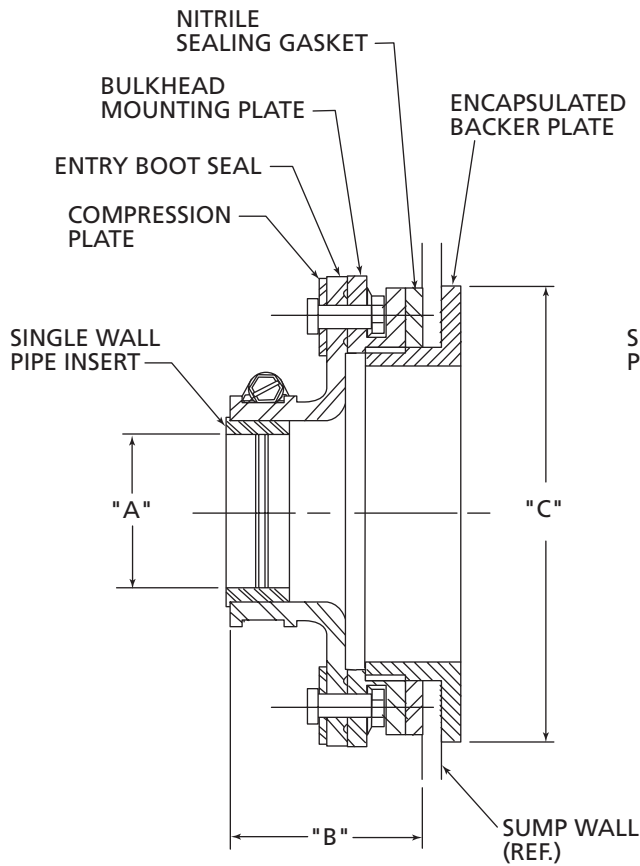




## Flexible Bulkhead Boots



### Flexible Bulkhead Boots

MODEL	DIM. "A"	DIM. "B"	DIM. "C"	MTG HOLE SIZE
FBB-050-D	0.84"	2.50"	4.00"	2 3/8"
FBB-050-SC	1.05"	2.50"	4.00"	2 3/8"
FBB-075-D	1.05"	2.50"	4.00"	2 3/8"
FBB-075-SC	1.32"	2.50"	4.00"	2 3/8"
FBB-100-D	1.32"	2.50"	4.00"	2 3/8"
FBB-100-SC	1.70"	2.50"	4.00"	2 3/8"
FBB-150-D	1.75"	2.50"	6.00"	4 3/8"
FBB-150-SC	2.00"	2.50"	6.00"	4 3/8"
FBB-175-D	2.00"	2.50"	6.00"	4 3/8"
FBB-175-SC	2.40"	2.50"	6.00"	4 3/8"
FBB-200-D	2.50"	2.50"	6.00"	4 3/8"
FBB-200-SC	2.88"	2.50"	6.00"	4 3/8"
FBB-250-SC	3.24"	2.50"	6.00"	4 3/8"

### Ducted Bulkhead Boots

MODEL	DIM. "A"	DIM. "B"	DIM. "C"	MTG HOLE SIZE
DBB-150-D	1.75"	2.50"	6.00"	4 3/8"
DBB-150-SC	2.00"	2.50"	6.00"	4 3/8"
DBB-175-D	2.00"	2.50"	6.00"	4 3/8"
DBB-175-SC	2.40"	2.50"	6.00"	4 3/8"
DBB-200-D	2.50"	2.50"	6.00"	4 3/8"
DBB-200-SC	2.88"	2.50"	6.00"	4 3/8"
DBB-250-SC	3.24"	2.50"	6.00"	4 3/8"

### Air Testable

MODEL	DIM. "A"	DIM. "B"	DIM. "C"	MTG HOLE SIZE
DBB-150-DA	1.75"	2.50"	6.00"	4 3/8"
DBB-150-SCA	2.00"	2.50"	6.00"	4 3/8"
DBB-175-DA	2.00"	2.50"	6.00"	4 3/8"
DBB-175-SCA	2.40"	2.50"	6.00"	4 3/8"

COURTESY OF  
**MASCOTT EQUIPMENT COMPANY**  
 Portland Seattle Tri-Cities  
[www.mascottec.com](http://www.mascottec.com)