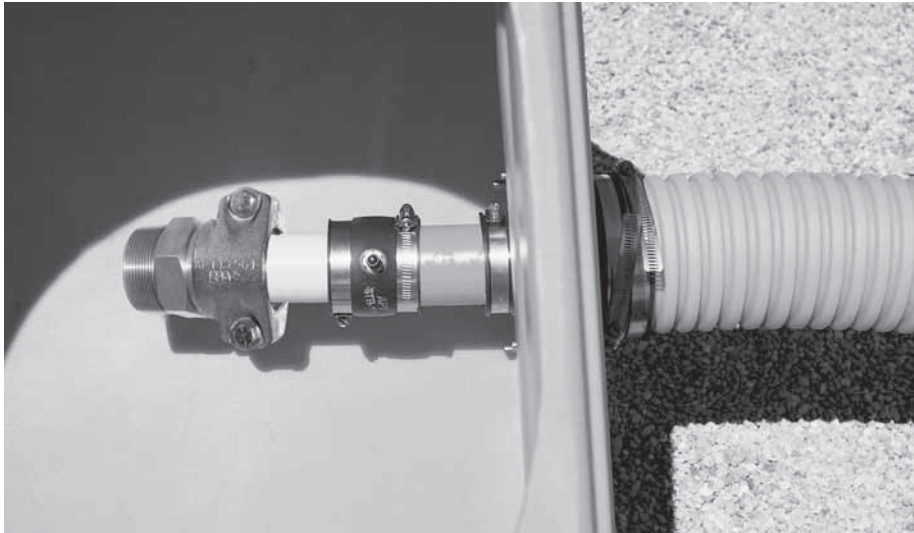




4" Ducting

The APT Ducting System allows for pipe removal without extensive excavation. The 4" inside diameter of the DCT-400 ducting allows APT product piping to be easily slid through during installation or removal. Entries into sump walls are made with specially engineered ducted entry boots (DEB) or ducted bulkhead boots (DBB). The DCT-400 is used for retractability only, and does not serve as a containment layer.



Design Highlights & Advantages

- Ducted entry boots available for product pipe sizes 1" thru 2" single or secondary contained product piping.
- Ducted entry boots made from an oil and gasoline resistant nitrile rubber and employ stainless steel band clamps for maximum corrosion resistance.
- Entry boots can be serviced from the inside of the sump eliminating the need for sump excavation.
- Ducting is to be used for retractability only. Secondary containment is achieved by using APT secondary contained (SC) pipe.



DCT-400-F

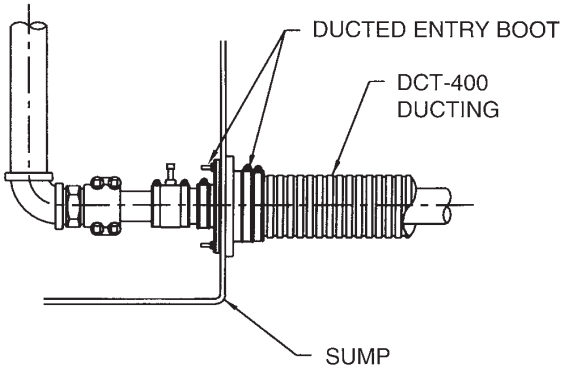
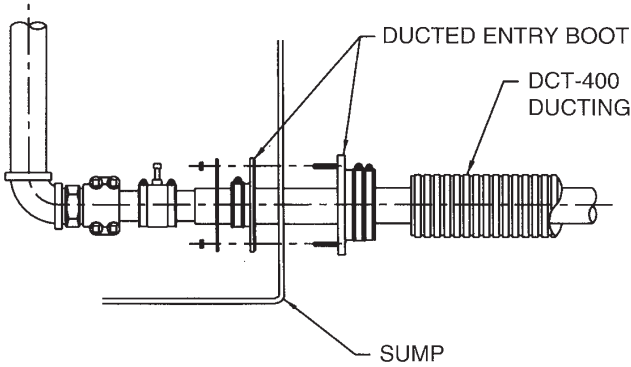
MODEL	DESCRIPTION	UNITS
DCT-400-100	4" Corrugated Ducting (for retractability only)	100 LF
DCT-400-250	4" Corrugated Ducting (for retractability only)	250 LF
DCT-400-F	Flexible ducting connector with clamps	EA

COURTESY OF
MASCOTT EQUIPMENT COMPANY
 Portland Seattle Tri-Cities
www.mascottec.com



4" Ducting

System Using Ducted Entry Boot (DEB-XXX-XX)



System Using Ducted Bulkhead Boot (DBB-XXX-XX)

