



Flexible Double Entry Boots

The APT Flexible Double Entry Boot allows two pipes or conduits to go through a single sump entry boot opening. The APT boot comes in two different styles, the Flexible Double Boot for non-ducted applications and the Ducted Double Boot when using APT DCT-400 corrugated piping. Double entry boots accommodate ¾" and 1" pipe sizes or a combination of the two.



Design Highlights & Advantages

- Designed to be used with APT product piping, the entry boots are also ideal for use with rigid piping and electrical conduits.
- Flexible Double Entry Boots are ideal for generator, fuel oil return and feed line applications.
- Boot can be serviced from inside the sump so there is no need to break concrete.
- Made from oil and gasoline resistant nitrile rubber.
- Allows two pipes to go through one boot for easier installation.
- Combination of two different pipe diameters through one boot can be easily converted by simply removing the insert in the pipe opening.

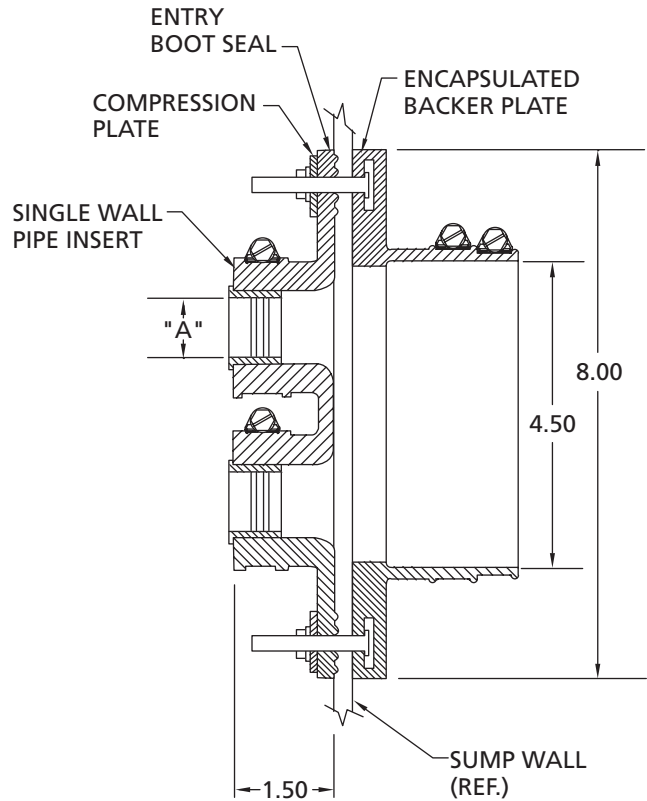
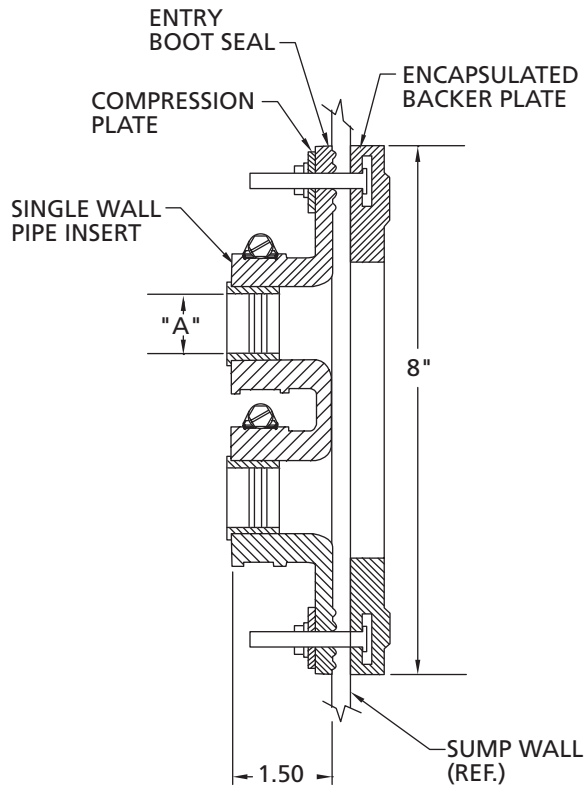
MODEL	DESCRIPTION (FLEXIBLE)
FDB-075-D	Flexible Double Boot for ¾" conduit
FDB-075-SC	Flexible Double Boot for P-075-SC
FDB-100-D	Flexible Double Boot for XP-100-D or 1" conduit
FDB-100-SC	Flexible Double Boot for XP-100-SC
MODEL	DESCRIPTION (DUCTED)
DDB-075-D	Ducted Double Boot for ¾" conduit
DDB-075-SC	Ducted Double Boot for P-075-SC
DDB-100-D	Ducted Double Boot for XP-100-D or 1" conduit
DDB-100-SC	Ducted Double Boot for XP-100-SC

COURTESY OF
MASCOTT EQUIPMENT COMPANY
 Portland Seattle Tri-Cities
www.mascottec.com





Flexible Double Entry Boots



Flexible Double Entry Boots

MODEL	DIM. "A"	MTG HOLE SIZE	MTG STUDS
FDB-075-D	1.05"	5.50"	10
FDB-075-SC	1.32"	5.50"	10
FDB-100-D	1.32"	5.50"	10
FDB-100-SC	1.70"	5.50"	10

Ducted Double Entry Boots

MODEL	DIM. "A"	MTG HOLE SIZE	MTG STUDS
DDB-075-D	1.05"	5.50"	10
DDB-075-SC	1.32"	5.50"	10
DDB-100-D	1.32"	5.50"	10
DDB-100-SC	1.70"	5.50"	10