



Flexible Entry Boots

APT flexible entry boots are a two-piece boot that doubles the sealing power of your entry boot. Stainless steel studs and corrosion resistant nuts and washer plates make for the highest quality entry boot. APT offers a complete line of sizes for 1/2" thru 4" single and secondary containment pipe. The 1 1/2" thru 2 1/2" sizes are also available in a ducted boot version to accommodate the use of APT's DCT-400 corrugated ducting for easy retractability.



Design Highlights & Advantages

- Designed to be used with APT product piping, the entry boots are also ideal for use with rigid piping and electrical conduits.
- Flexible entry boots available in sizes from 1/2" through 4".
- Ducted entry boots available in sizes from 1 1/2" through 2 1/2". APT offers these ducted entry boots in an air testable version for easy testing of the 4" corrugated ducting.
- Boot size designations correspond directly to the pipe size being used.
- Any boot for a single wall pipe can be converted to a boot for a double wall pipe by simply removing the insert in the pipe opening.
- Entry boot can be serviced from inside the sump eliminating the need for sump excavation.
- Made from oil and gasoline resistant nitrile rubber.
- Will work on round sumps of 36" or larger diameter.

MODEL	DESCRIPTION
FEB-050-D	Flexible Entry Boot for 1/2" electrical conduit
FEB-050-SC	Flexible Entry Boot for 3/4" electrical conduit
FEB-075-D	Flexible Entry Boot for 3/4" and 1" electrical conduit
FEB-075-SC	Flexible Entry Boot for 1" electrical conduit
FEB-100-D	Flexible Entry Boot for XP-100-D
FEB-100-SC	Flexible Entry Boot for XP-100-SC
FEB-150-D	Flexible Entry Boot for XP-150-D
FEB-150-SC	Flexible Entry Boot for XP-150-SC
FEB-175-D	Flexible Entry Boot for XP-175-D
FEB-175-SC	Flexible Entry Boot for XP-175-SC and 2" Single Wall Fiberglass
FEB-200-D	Flexible Entry Boot for XP-200-D
FEB-200-SC	Flexible Entry Boot for XP-200-SC
FEB-250-SC	Flexible Entry Boot for XP-250-SC
FEB-300-R	Flexible Entry Boot for R-300-D and 3" Single Wall Fiberglass
FEB-400-R	Flexible Entry Boot for R-400-D and 4" Single Wall Fiberglass
FEB-400-F	Flexible Entry Boot for 4" Double Wall Pipe

MODEL	DESCRIPTION (DUCTED)
DEB-250-SC	Ducted Entry Boot for P-250-SC

MODEL	DESCRIPTION (AIR TESTABLE)
DEB-150-DA	Ducted Entry Boot for XP-150-D
DEB-150-SCA	Ducted Entry Boot for XP-150-SC
DEB-175-DA	Ducted Entry Boot for XP-175-D
DEB-175-SCA	Ducted Entry Boot for XP-175-SC
DEB-200-DA	Ducted Entry Boot for XP-200-D
DEB-252-DA	Ducted Entry Boot for XP-200-SC and P-250-D
DEB-250-SCA	Ducted Entry Boot for P-250-SC

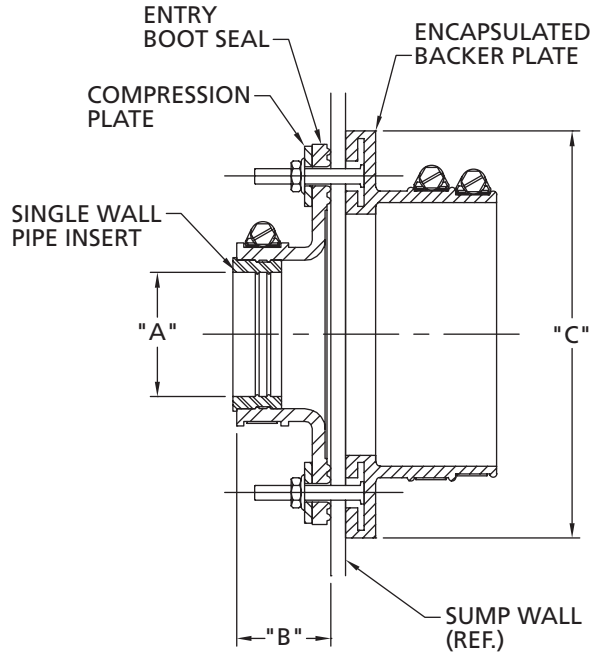
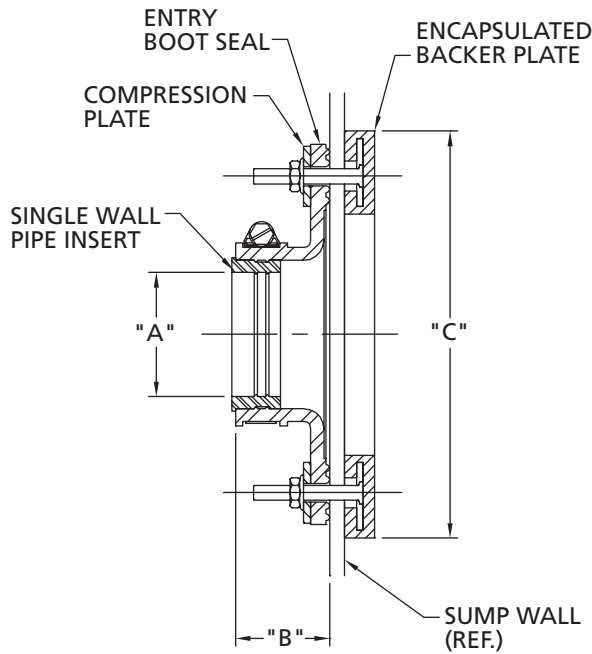
MODEL	DESCRIPTION (DUCTED)
DEB-150-D	Ducted Entry Boot for XP-150-D
DEB-150-SC	Ducted Entry Boot for XP-150-SC
DEB-175-D	Ducted Entry Boot for XP-175-D
DEB-175-SC	Ducted Entry Boot for XP-175-SC
DEB-200-D	Ducted Entry Boot for XP-200-D
DEB-200-SC	Ducted Entry Boot for XP-200-SC

COURTESY OF
MASCOTT EQUIPMENT COMPANY
 Portland Seattle Tri-Cities
www.mascottec.com





Flexible Entry Boots



Flexible Entry Boots

MODEL	DIM. "A"	DIM. "B"	DIM. "C"	MTG HOLE SIZE	MTG STUDS
FEB-050-D	0.84"	1.50"	4.75"	2"	4
FEB-050-SC	1.05"	1.50"	4.75"	2"	4
FEB-075-D	1.05"	1.50"	4.75"	2"	4
FEB-075-SC	1.32"	1.50"	4.75"	2"	4
FEB-100-D	1.32"	1.50"	4.75"	2"	4
FEB-100-SC	1.70"	1.50"	4.75"	2"	4
FEB-150-D	1.75"	1.50"	6.75"	3 1/2"	8
FEB-150-SC	2.00"	1.50"	6.75"	3 1/2"	8
FEB-175-D	2.00"	1.50"	6.75"	3 1/2"	8
FEB-175-SC	2.40"	1.50"	6.75"	3 1/2"	8
FEB-200-D	2.50"	1.50"	6.75"	3 1/2"	8
FEB-200-SC	2.88"	1.50"	6.75"	3 1/2"	8
FEB-250-SC	3.24"	1.50"	6.75"	3 1/2"	8
FEB-300-R	3.50"	1.50"	6.75"	3 1/2"	8
FEB-400-R	4.50"	1.50"	8.00"	5 1/2"	10
FEB-400-F	4.94"	1.50"	8.00"	5 1/2"	10

Ducted Entry Boots

MODEL	DIM. "A"	DIM. "B"	DIM. "C"	MTG HOLE SIZE	MTG STUDS
DEB-150-D	1.75"	1.50"	6.75"	3 1/2"	8
DEB-150-SC	2.00"	1.50"	6.75"	3 1/2"	8
DEB-175-D	2.00"	1.50"	6.75"	3 1/2"	8
DEB-175-SC	2.40"	1.50"	6.75"	3 1/2"	8
DEB-200-SC	2.88"	1.50"	6.75"	3 1/2"	8
DEB-250-D	3.00"	1.50"	6.75"	3 1/2"	10
DEB-250-SC	3.24"	1.50"	6.75"	3 1/2"	10

Air Testable

MODEL	DIM. "A"	DIM. "B"	DIM. "C"	MTG HOLE SIZE	MTG STUDS
DEB-150-DA	1.75"	1.50"	6.75"	3 1/2"	8
DEB-150-SCA	2.00"	1.50"	6.75"	3 1/2"	8
DEB-175-DA	2.00"	1.50"	6.75"	3 1/2"	8
DEB-175-SCA	2.40"	1.50"	6.75"	3 1/2"	8
DEB-200-DA	2.50"	1.50"	8.00"	5 1/2"	10
DEB-252-DA	3.00"	1.50"	8.00"	5 1/2"	10
DEB-250-SCA	3.24"	1.50"	8.00"	5 1/2"	10



Flexible Double Entry Boots

The APT Flexible Double Entry Boot allows two pipes or conduits to go through a single sump entry boot opening. The APT boot comes in two different styles, the Flexible Double Boot for non-ducted applications and the Ducted Double Boot when using APT DCT-400 corrugated piping. Double entry boots accommodate ¾" and 1" pipe sizes or a combination of the two.



Design Highlights & Advantages

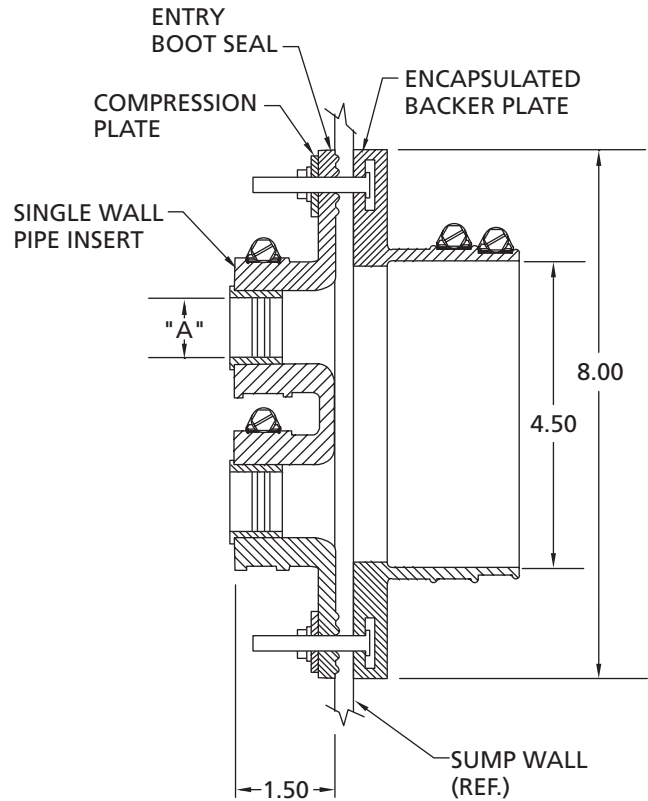
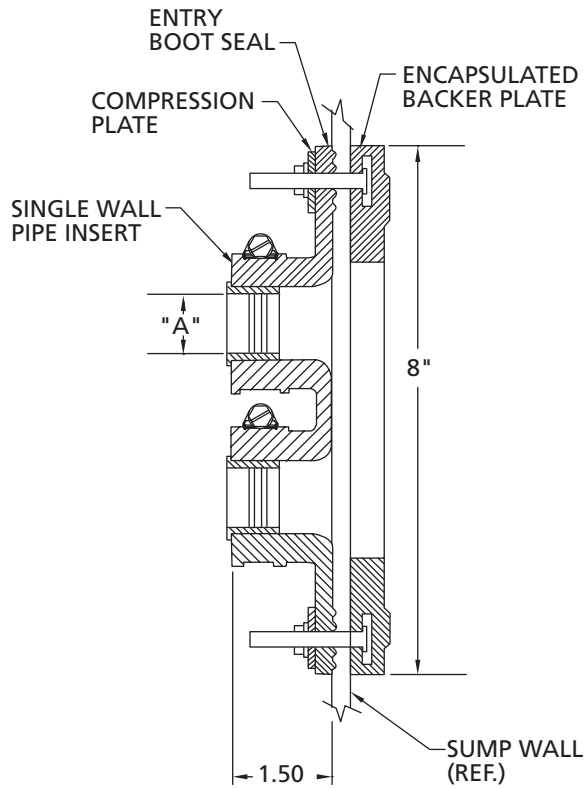
- Designed to be used with APT product piping, the entry boots are also ideal for use with rigid piping and electrical conduits.
- Flexible Double Entry Boots are ideal for generator, fuel oil return and feed line applications.
- Boot can be serviced from inside the sump so there is no need to break concrete.
- Made from oil and gasoline resistant nitrile rubber.
- Allows two pipes to go through one boot for easier installation.
- Combination of two different pipe diameters through one boot can be easily converted by simply removing the insert in the pipe opening.

MODEL	DESCRIPTION (FLEXIBLE)
FDB-075-D	Flexible Double Boot for ¾" conduit
FDB-075-SC	Flexible Double Boot for P-075-SC
FDB-100-D	Flexible Double Boot for XP-100-D or 1" conduit
FDB-100-SC	Flexible Double Boot for XP-100-SC
MODEL	DESCRIPTION (DUCTED)
DDB-075-D	Ducted Double Boot for ¾" conduit
DDB-075-SC	Ducted Double Boot for P-075-SC
DDB-100-D	Ducted Double Boot for XP-100-D or 1" conduit
DDB-100-SC	Ducted Double Boot for XP-100-SC





Flexible Double Entry Boots



Flexible Double Entry Boots

MODEL	DIM. "A"	MTG HOLE SIZE	MTG STUDS
FDB-075-D	1.05"	5.50"	10
FDB-075-SC	1.32"	5.50"	10
FDB-100-D	1.32"	5.50"	10
FDB-100-SC	1.70"	5.50"	10

Ducted Double Entry Boots

MODEL	DIM. "A"	MTG HOLE SIZE	MTG STUDS
DDB-075-D	1.05"	5.50"	10
DDB-075-SC	1.32"	5.50"	10
DDB-100-D	1.32"	5.50"	10
DDB-100-SC	1.70"	5.50"	10



Flexible Bulkhead Boots

APT bulkhead boots boast an enlarged gasket area to seal against the sump wall, and incorporate the proven advantages of APT standard flexible entry boot seal. The bulkhead boot requires only a single hole to be drilled for installation, reducing labor time and cost. APT offers a complete line of sizes for 1/2" through 2 1/2" single and secondary contained pipe. The 1 1/2" thru 2 1/2" sizes are also available in a ducted boot version to accommodate the use of APT DCT-400 corrugated ducting for easy retractability.



Design Highlights & Advantages

- Designed to be used with APT's product piping, the bulkhead boots are also ideal for use with rigid piping and electrical conduits.
- Flexible bulkhead boots available in sizes from 1/2" through 2 1/2". Ducted bulkhead boots available in sizes from 1 1/2" through 2 1/2".
- Boot size designations correspond directly to the pipe size being used.
- Any boot for a single wall pipe can be converted to a boot for a double wall pipe by simply removing the insert in the pipe opening.
- Bulkhead boots can be serviced from inside the sump eliminating the need for sump excavation.
- Made from oil and gasoline resistant nitrile rubber.

MODEL	DESCRIPTION (FLEXIBLE)
FBB-050-D	Flexible Bulkhead Boot for 1/2" electrical conduit
FBB-050-SC	Flexible Bulkhead Boot for 3/4" electrical conduit
FBB-075-D	Flexible Bulkhead Boot for P-075-D, 3/4" and 1" electrical conduit
FBB-075-SC	Flexible Bulkhead Boot for P-075-SC and 1" electrical conduit
FBB-100-D	Flexible Bulkhead Boot for XP-100-D
FBB-100-SC	Flexible Bulkhead Boot for XP-100-SC
FBB-150-D	Flexible Bulkhead Boot for XP-150-D
FBB-150-SC	Flexible Bulkhead Boot for XP-150-SC
FBB-175-D	Flexible Bulkhead Boot for XP-175-D
FBB-175-SC	Flexible Bulkhead Boot for XP-175-SC and 2" Fiberglass
FBB-200-D	Flexible Bulkhead Boot for XP-200-D
FBB-200-SC	Flexible Bulkhead Boot for XP-200-SC
FBB-250-SC	Flexible Bulkhead Boot for P-250-SC

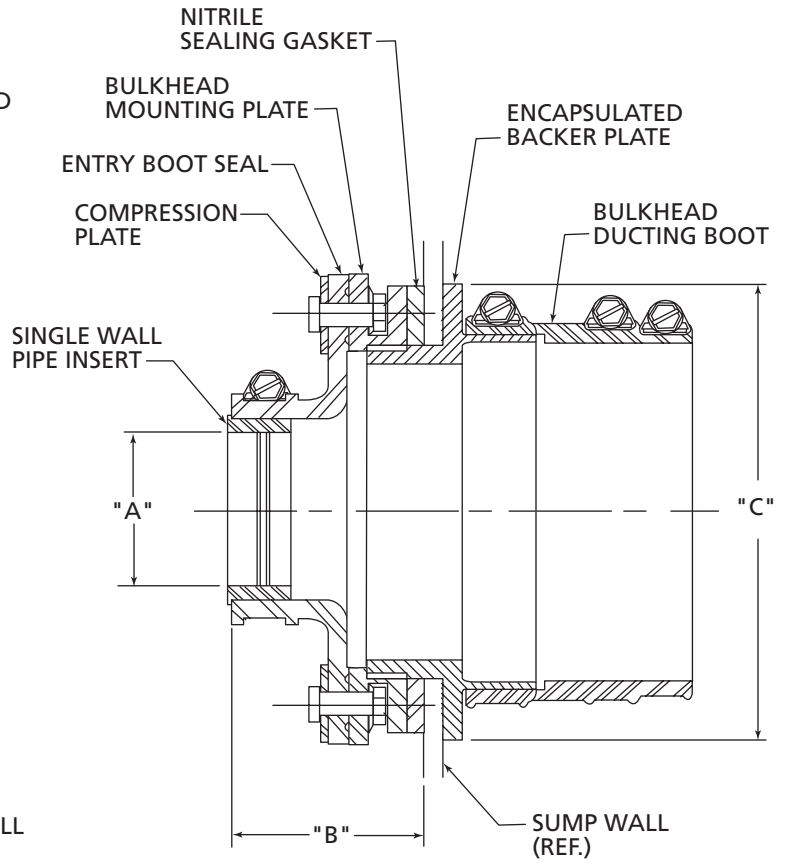
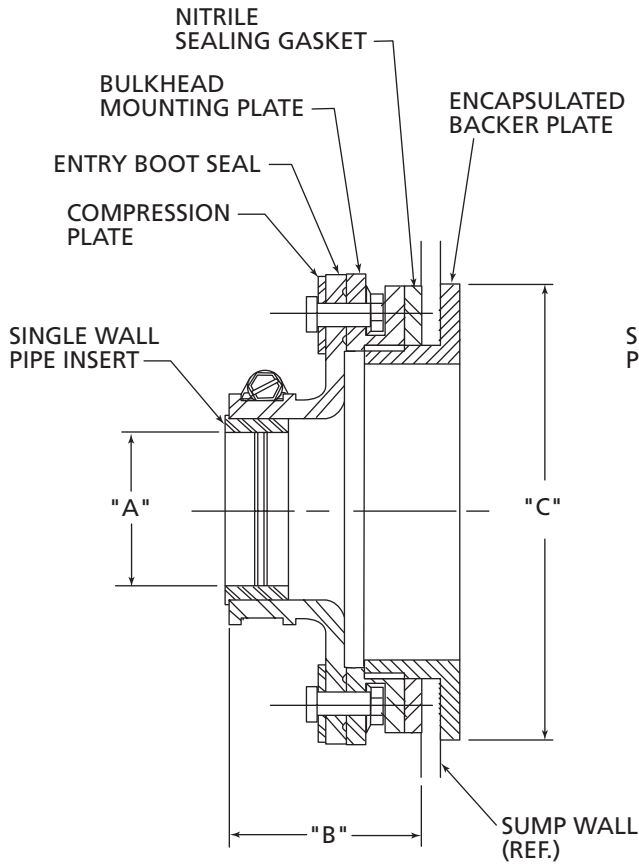
MODEL	DESCRIPTION (AIR TESTABLE)
DBB-150-DA	Ducted Bulkhead Boot for XP-150-SC
DBB-150-SCA	Ducted Bulkhead Boot for XP-150-SC
DBB-175-DA	Ducted Bulkhead Boot for XP-175-D
DBB-175-SCA	Ducted Bulkhead Boot for XP-175-SC

MODEL	DESCRIPTION (DUCTED)
DBB-150-D	Ducted Bulkhead Boot for XP-150-D
DBB-150-SC	Ducted Bulkhead Boot for XP-150-SC
DBB-175-D	Ducted Bulkhead Boot for XP-175-D
DBB-175-SC	Ducted Bulkhead Boot for XP-175-SC
DBB-200-D	Ducted Bulkhead Boot for XP-200-D
DBB-200-SC	Ducted Bulkhead Boot for XP-200-SC
DBB-250-SC	Ducted Bulkhead Boot for P-250-SC





Flexible Bulkhead Boots



Flexible Bulkhead Boots

MODEL	DIM. "A"	DIM. "B"	DIM. "C"	MTG HOLE SIZE
FBB-050-D	0.84"	2.50"	4.00"	2 3/8"
FBB-050-SC	1.05"	2.50"	4.00"	2 3/8"
FBB-075-D	1.05"	2.50"	4.00"	2 3/8"
FBB-075-SC	1.32"	2.50"	4.00"	2 3/8"
FBB-100-D	1.32"	2.50"	4.00"	2 3/8"
FBB-100-SC	1.70"	2.50"	4.00"	2 3/8"
FBB-150-D	1.75"	2.50"	6.00"	4 3/8"
FBB-150-SC	2.00"	2.50"	6.00"	4 3/8"
FBB-175-D	2.00"	2.50"	6.00"	4 3/8"
FBB-175-SC	2.40"	2.50"	6.00"	4 3/8"
FBB-200-D	2.50"	2.50"	6.00"	4 3/8"
FBB-200-SC	2.88"	2.50"	6.00"	4 3/8"
FBB-250-SC	3.24"	2.50"	6.00"	4 3/8"

Ducted Bulkhead Boots

MODEL	DIM. "A"	DIM. "B"	DIM. "C"	MTG HOLE SIZE
DBB-150-D	1.75"	2.50"	6.00"	4 3/8"
DBB-150-SC	2.00"	2.50"	6.00"	4 3/8"
DBB-175-D	2.00"	2.50"	6.00"	4 3/8"
DBB-175-SC	2.40"	2.50"	6.00"	4 3/8"
DBB-200-D	2.50"	2.50"	6.00"	4 3/8"
DBB-200-SC	2.88"	2.50"	6.00"	4 3/8"
DBB-250-SC	3.24"	2.50"	6.00"	4 3/8"

Air Testable

MODEL	DIM. "A"	DIM. "B"	DIM. "C"	MTG HOLE SIZE
DBB-150-DA	1.75"	2.50"	6.00"	4 3/8"
DBB-150-SCA	2.00"	2.50"	6.00"	4 3/8"
DBB-175-DA	2.00"	2.50"	6.00"	4 3/8"
DBB-175-SCA	2.40"	2.50"	6.00"	4 3/8"