



XP Male Swage Swivel Pipe Fittings

The APT innovative swage fitting is designed with the same proven technology as our clamshell fittings. Compatible with APT 1 1/2", 1 3/4" and 2" single and secondary containment piping using standard NPT connection fittings. Manufactured of stainless steel, the APT swage fitting is reliable, easy to install and requires no specialized connection tees or elbows. "XP ONLY" is permanently etched on each SS collar for easy identification.

Note: Use only XP Series fittings with XP piping.



Features & Benefits

Feature

- Stainless steel construction.

Benefit

- Wide range of fluid compatibility.

Feature

- Knurled surface.

Benefit

- Easy to engage threads by hand and wrench tighten.

Feature

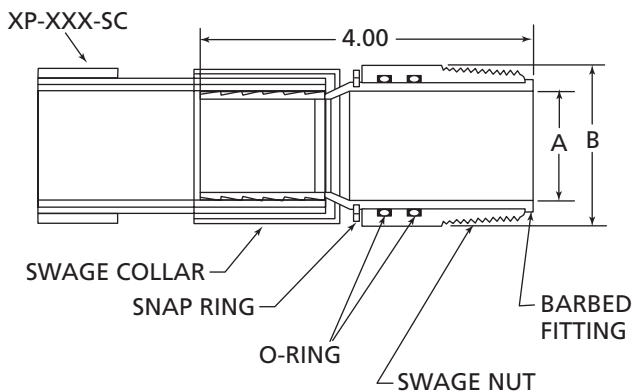
- NPT Threads.

Benefit

- Fast and secure installation.
- Fittings available locally.
- Field proven.

Design Highlights & Advantages

- Compatible with standard 1 1/2" or 2" NPT threads.
- Swage fittings utilize the APT proven swivel and double Viton O-ring design similar to APT clamshell fittings.
- 100 psi rated working pressure.



MODEL	DESCRIPTION
MS-XP-SW-150-150	Installs on the end of 1 1/2" single/secondary contained XP pipe with 1 1/2" NPT
MS-XP-SW-175-200	Installs on the end of 1 3/4" single/secondary contained XP pipe with 2" NPT
MS-XP-SW-200-200	Installs on the end of 2" single/secondary contained XP pipe with 2" NPT

Male Swivel - XP Series

MODEL	DIM. "A"	DIM. "B"
MS-XP-SW-150	1.50"	2.00"
MS-XP-SW-175	1.75"	2.50"
MS-XP-SW-200	2.00"	3.00"



COURTESY OF
MASCOTT EQUIPMENT COMPANY
 Portland Seattle Tri-Cities
www.mascottec.com