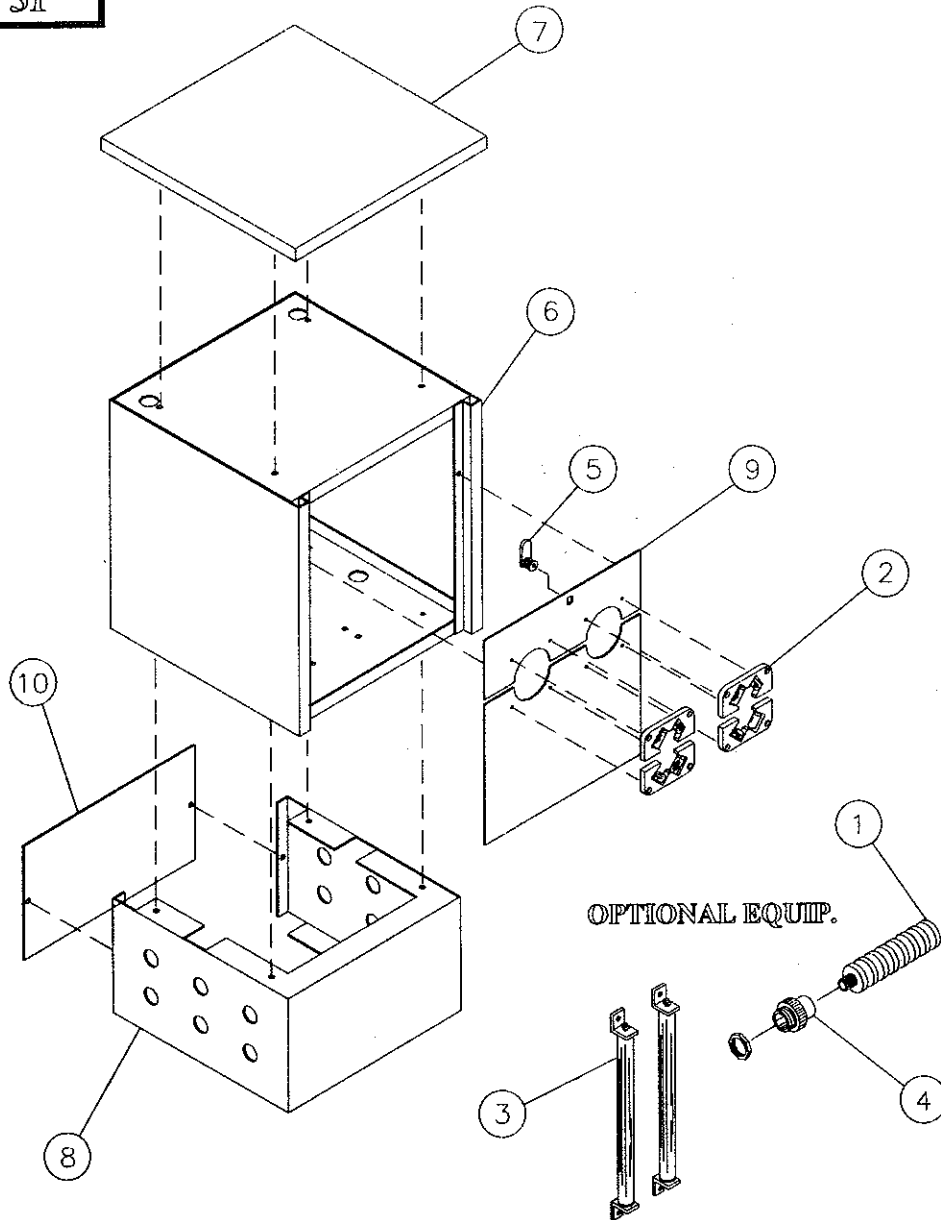


**HOSE MODULE  
SERIES 30 & 31**



OPTIONAL EQUIP.

REFER: PAGE 14 FOR HOSE REEL

**PARTS LIST**

NO.	PART#	DESCRIPTION	MODEL	NO.	PART#	DESCRIPTION	MODEL
1	SA-07	HEATER ASSEMBLY	OPTION	11			
2	SA-11	HOSE GUIDE with ROLLERS	ALL	12			
3	SA-21	SIDE ROLLER ASSEMBLY	OPTION				
4	019-17	UNION & NUT	OPTION				
5	031-06	LOCK with KEYS	ALL				
6	056-03	REEL CABINET	ALL				
7	056-04	TOP COVER	ALL				
8	056-05	BASE	ALL				
9	056-07	FRONT DOOR PANEL	ALL				
10	056-08	ACCESS DOOR	ALL				

(1)