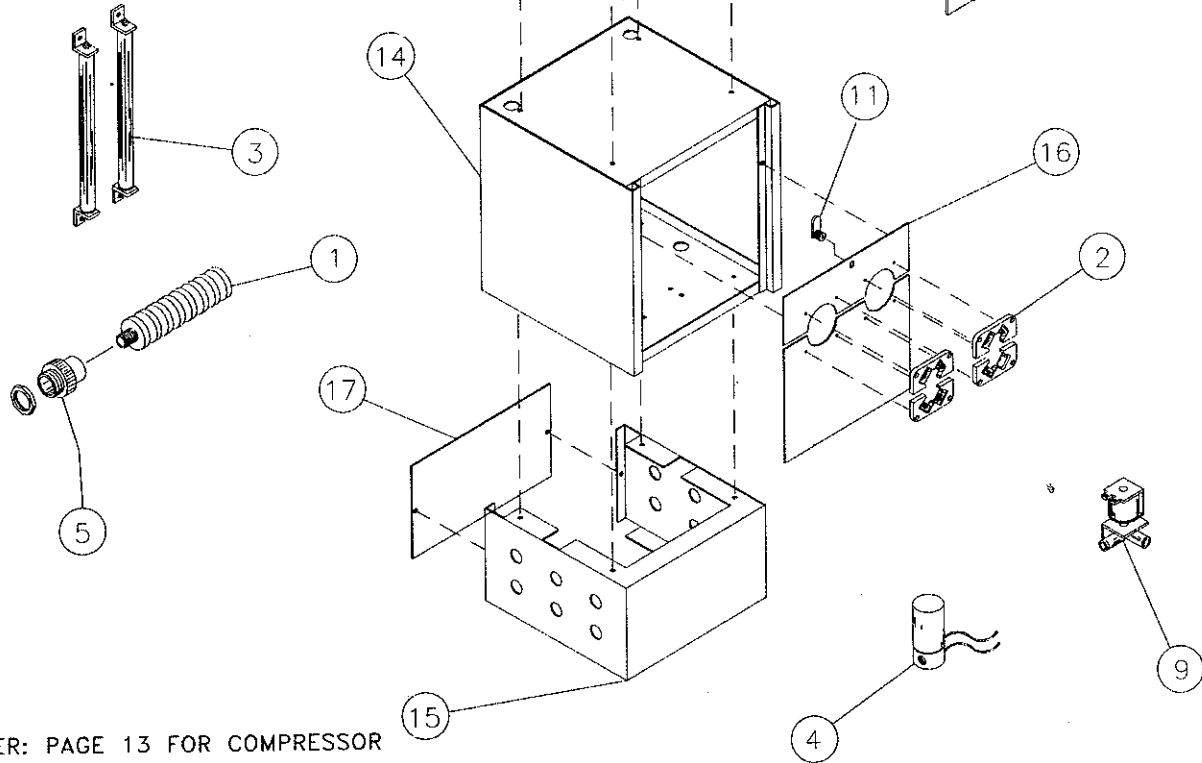


**HOSE MODULE  
SERIES 35 & 36  
40-A & 41-A  
40-CA & 41-CA  
40-CAW**

**OPTIONAL EQUIP.**



REFER: PAGE 13 FOR COMPRESSOR  
REFER: PAGE 14 FOR HOSE REEL

**PARTS LIST**

NO.	PART#	DESCRIPTION	MODEL	NO.	PART#	DESCRIPTION	MODEL
1	SA-07	HEATER ASSEMBLY	OPTION	12	056-01	COMPRESSOR CABINET	35,36,40-A,41-A
2	SA-11	HOSE GUIDE with ROLLERS	ALL	13	056-02	COIN-OP CABINET	35-C,36-C
3	SA-21	SIDE ROLLER ASSEMBLY	OPTION	14	056-03	REEL CABINET	ALL
4	019-15	AIR SOLENOID	35-C,36-C	15	056-05	BASE	ALL
5	019-17	UNION & NUT	OPTION	16	056-07	FRONT DOOR PANEL	ALL
6	019-24	THREE MINUTE TIMER	35,36,40-A,41-A	17	056-08	ACCESS DOOR	ALL
7	019-34	COIN LOCK BOX	35-C,36-C,40-CA 40-CAW,41-CA	<b>NOTES:</b> (800) 452-5019 (800) 481-7311 (888) 450-7867 Pasco Seattle Portland Mascott Equipment Co			
8	019-35	COIN METER	35-C,36-C,40-CA 40-CAW,41-CA				
9	019-36	WATER VALVE	40-CAW				
10	019-37	PUSH BUTTON TIMER	35,36,40-A,41-A				
11	031-06	LOCK with KEYS	ALL				