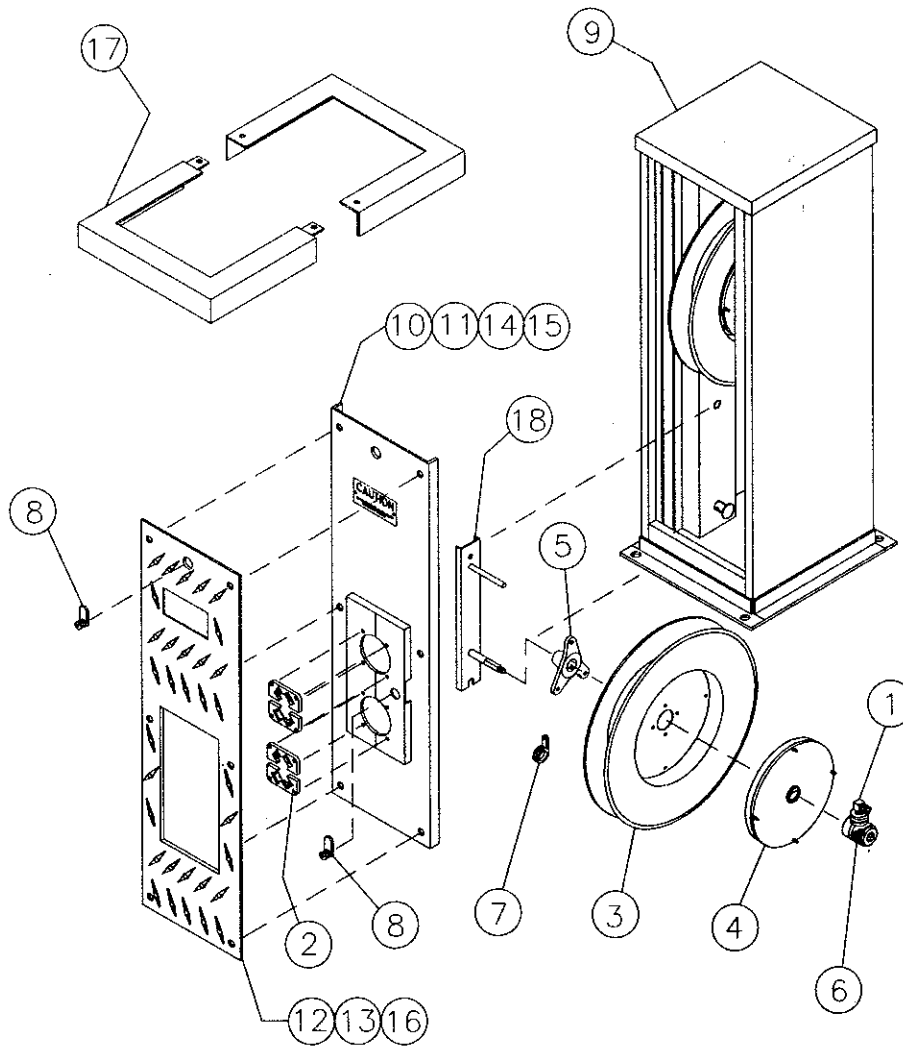


**SLIM LINE
SERIES 60 & 65**

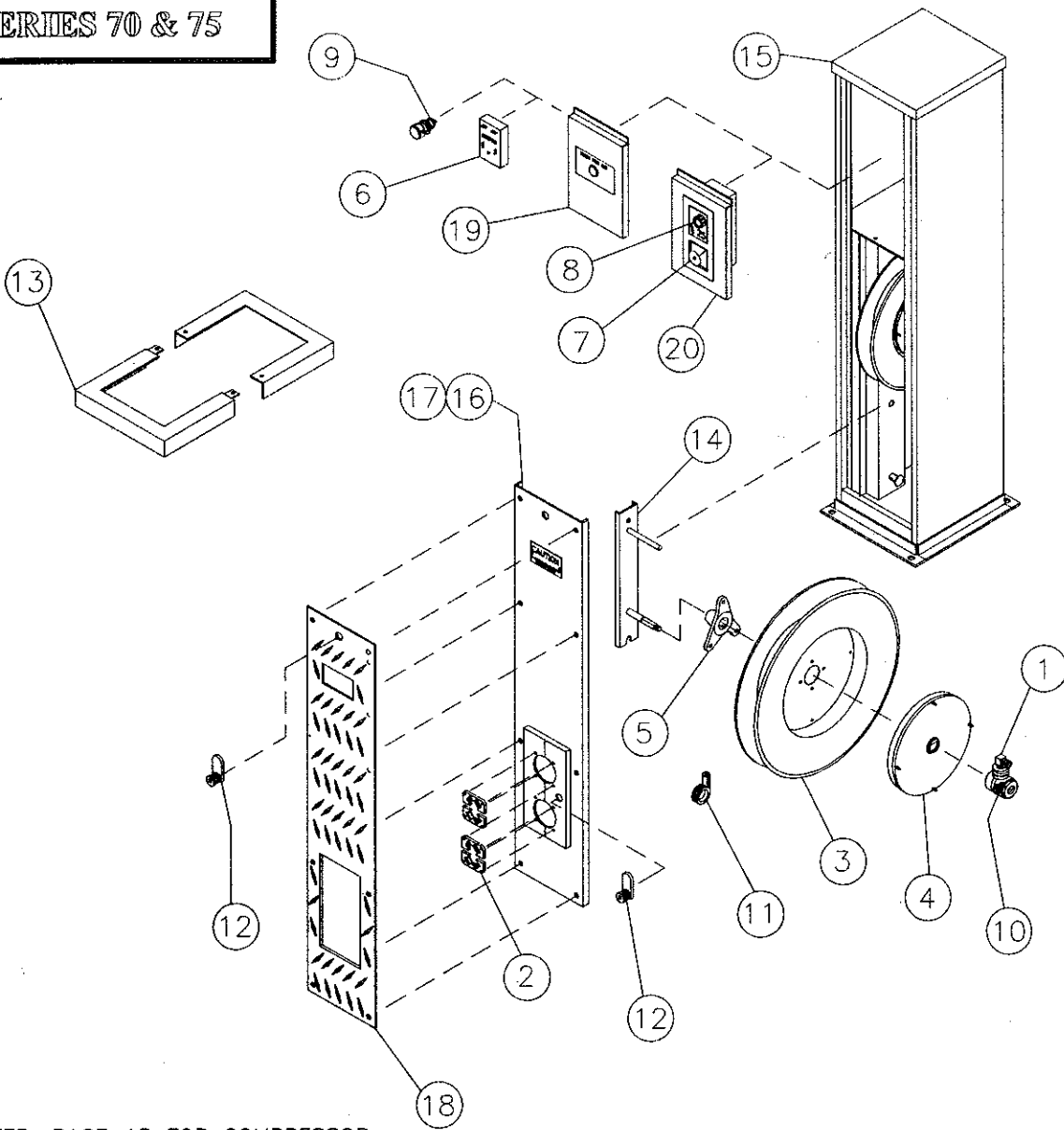


PARTS LIST

NO.	PART#	DESCRIPTION	MODEL	NO.	PART#	DESCRIPTION	MODEL
1	SA-01	SWIVEL JOINT 1/4	ALL	12	062-04	CHECKER PL. 24 HR. DBL	60-2
2	SA-10	HOSE GUIDE with ROLLERS	ALL	13	062-05	CHECKER PL. 24 HR. SNGL	60-1
3	SA-48	REEL SPOOL with HUB	ALL	14	062-06	DOOR PNL LOCK-UP DBL	65-2
4	SS-801	SRING CAN ASSEMBLY	ALL	15	062-07	DOOR PNL LOCK-UP SNGL	65-1
5	F-55-08	BEARING HUB	ALL	16	062-08	CHECKER PL. LOCK-UP	65-1, 65-2
6	K21-01	"O" RINGS (SET 4) 1/4	ALL	17	062-09	BASE COVER	ALL
7	023-01	HOSE CLAMP	ALL	18	062-10	REEL MOUNT BRKT.	ALL
8	031-06	LOCK with KEYS	ALL				
9	062-01	CABINET	ALL				
10	062-02	DOOR PNL 24 HR. DOUBLE	60-2				
11	062-03	DOOR PNL 24 HR. SINGLE	60-1				

MASCOTT EQUIPMENT COMPANY
 Portland Seattle Pasco
 (800) 452-5019 (800) 481-7311 (888) 450-7867

**SLIM LINE
SERIES 70 & 75**



REFER: PAGE 13 FOR COMPRESSOR

PARTS LIST

NO.	PART#	DESCRIPTION	MODEL	NO.	PART#	DESCRIPTION	MODEL
1	SA-01	SWIVEL JOINT 1/4	ALL	12	031-06	LOCK with KEYS	ALL
2	SA-10	HOSE GUIDE with ROLLERS	ALL	13	062-09	BASE COVER	ALL
3	SA-48	REEL SPOOL with HUB	ALL	14	062-10	REEL MOUNT BRACKET	ALL
4	SS-801	SRING CAN ASSEMBLY	ALL	15	062-11	CABINET	ALL
5	F-55-08	BEARING HUB	ALL	16	062-12	DOOR LOCK-UP DBL	70-2, 75-2
6	019-24	THREE MINUTE TIMER	70-1, 70-2	17	062-13	DOOR LOCK-UP SNGL	70-1, 75-1
7	019-34	COIN LOCK BOX	75-1, 75-2	18	062-14	CHECKER PLATE COVER	ALL
8	019-35	COIN METER	75-1, 75-2	19	062-15	FRONT PUSH BUT. PANEL	70-1, 70-2
9	019-37	PUSH BUTTON SWITCH	70-1, 70-2	20	062-16	FRONT COIN-OP PANEL	75-1, 75-2
10	K21-01	"O" RINGS (SET 4) 1/4	ALL	NOTES:			
11	023-01	HOSE CLAMP	ALL				