

A B C D E

Basic Pedestal

Self Priming Centrifugal Pump

Models 81 1/2A3-B and 81 1/2A52-B

Size 1 1/2" x 1 1/2"

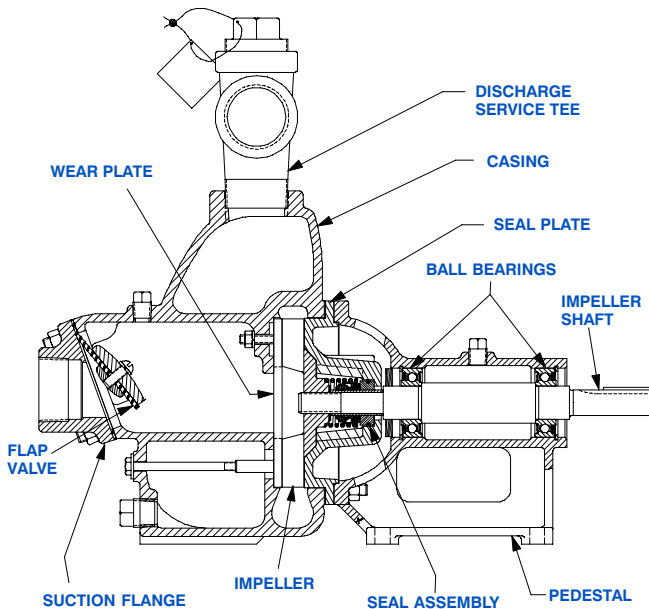


PUMP SPECIFICATIONS

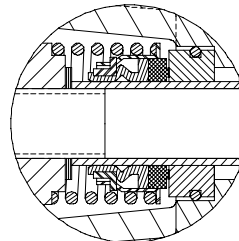
- Size:** 1 1/2" x 1 1/2" (38 mm x 38 mm) NPT - Female.
- Casing:** Gray Iron No. 30.
Maximum Operating Pressure 60 psi (414 kPa)*.
- Semi-Open Type, Three Vane Impeller:** Gray Iron No. 30.
Handles 5/8" (16,0 mm) Diameter Spherical Solids.
- Impeller Shaft:** Carbon Steel No. 1215.
- Replaceable Wear Plate:** Carbon Steel No. 1026.
- Pedestal:** Gray Iron No. 30.
- Seal Plate:** Gray Iron No. 30.
- Shaft Sleeve:** Stainless Steel No. 304.
- Flap Valve:** Buna-N, Steel and Gray Iron No. 30.
- Radial and Thrust Bearings:** Open Single Row Ball.
- Bearing Lubrication:** Grease.
- Suction Flange:** Gray Iron No. 30.
- Gaskets:** Cork.
- Hardware:** Standard Plated Steel and Stainless Steel.
- Discharge Service Tee:** Ductile Iron.
- Optional Equipment:** Silicon Carbide Seal. Viton Seal.
- All Iron Construction.



**Consult Factory for Applications Exceeding Maximum Pressure and/or Temperature Indicated.*



81 1/2A3-B SHOWN

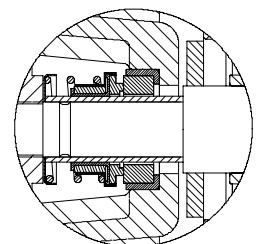


81 1/2A3-B SEAL DETAIL

Type 2, Mechanical, Self Lubricated. Carbon Rotating Face. Ceramic Stationary Face. Buna-N Elastomers. Stainless Steel No. 18-8 Cage and Spring. Maximum Temperature of Liquid Pumped, 160°F (71°C).*

81 1/2A52-B SEAL DETAIL

Type 31, Mechanical, Self-Lubricated. Silicon Carbide Rotating and Stationary Faces. Fluorocarbon Elastomers (DuPont Viton® or Equivalent). Stainless Steel No. 18-8 Cage and Spring. Maximum Temperature of Liquid Pumped 160°F (71°C).*



COURTESY OF
MASCOTT EQUIPMENT COMPANY
Portland Seattle Tri-Cities
www.mascottec.com

Specification Data

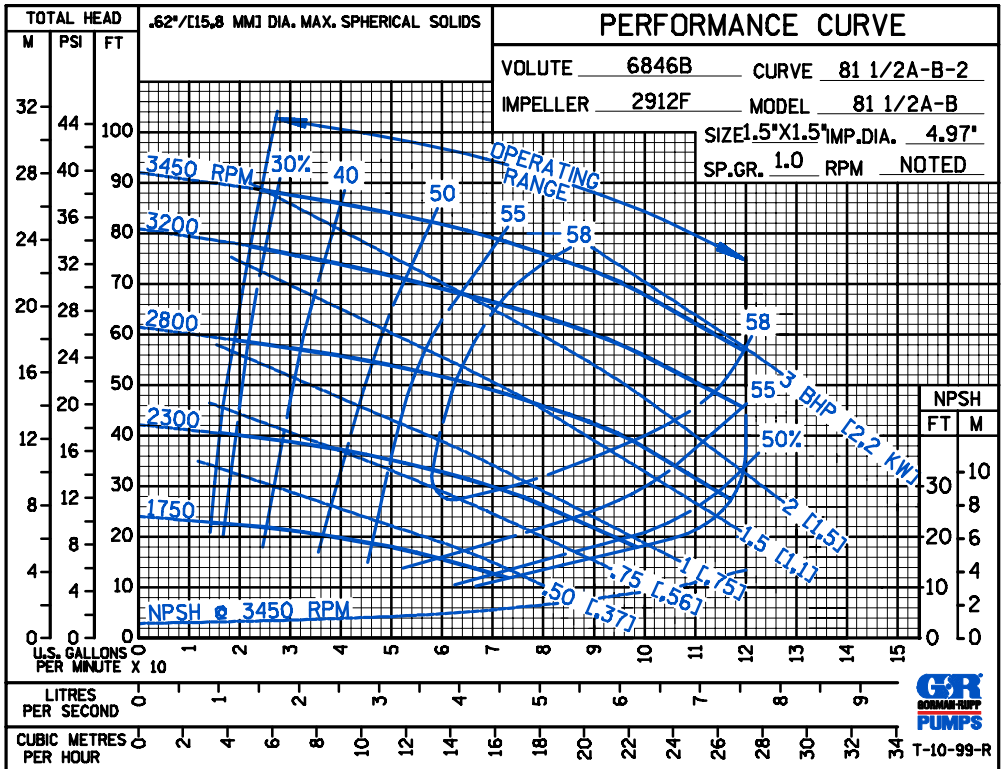
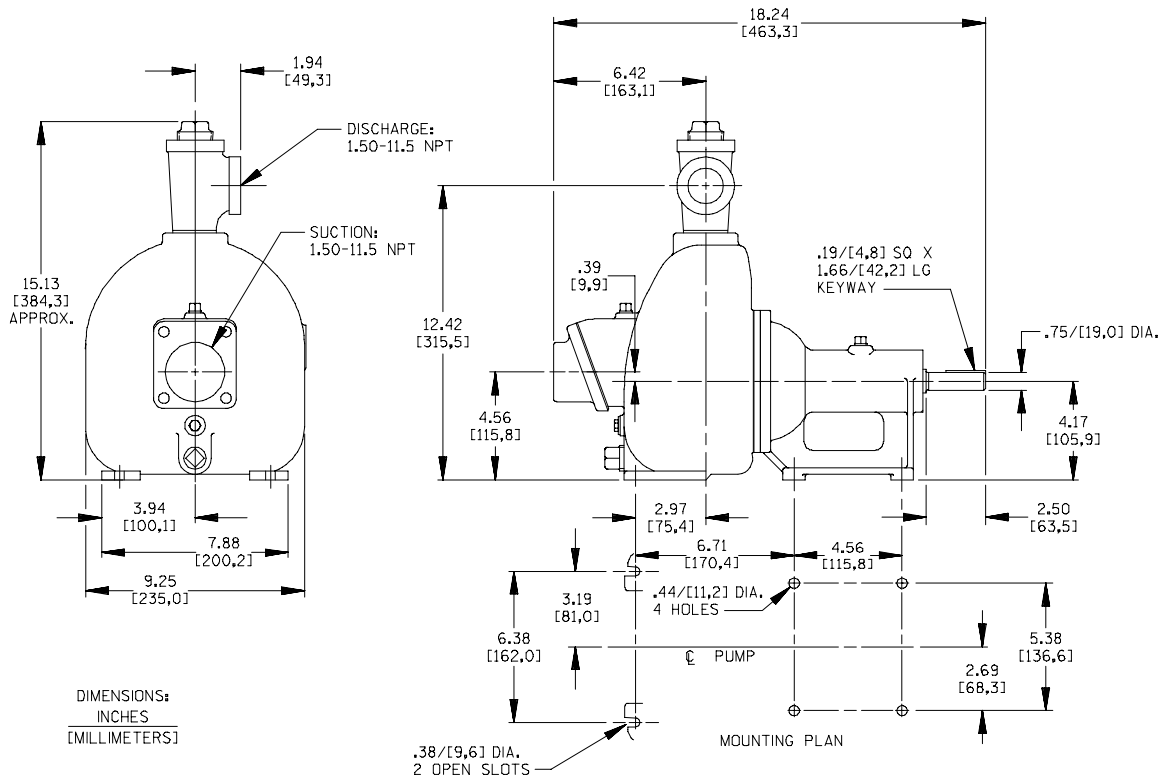
SECTION 50, PAGE 901

APPROXIMATE
DIMENSIONS and WEIGHTS

NET WEIGHT: 55 LBS. (25 KG.)

SHIPPING WEIGHT: 65 LBS. (29,5 KG.)

EXPORT CRATE: 3.5 CU. FT. (0,10 CU. M.)

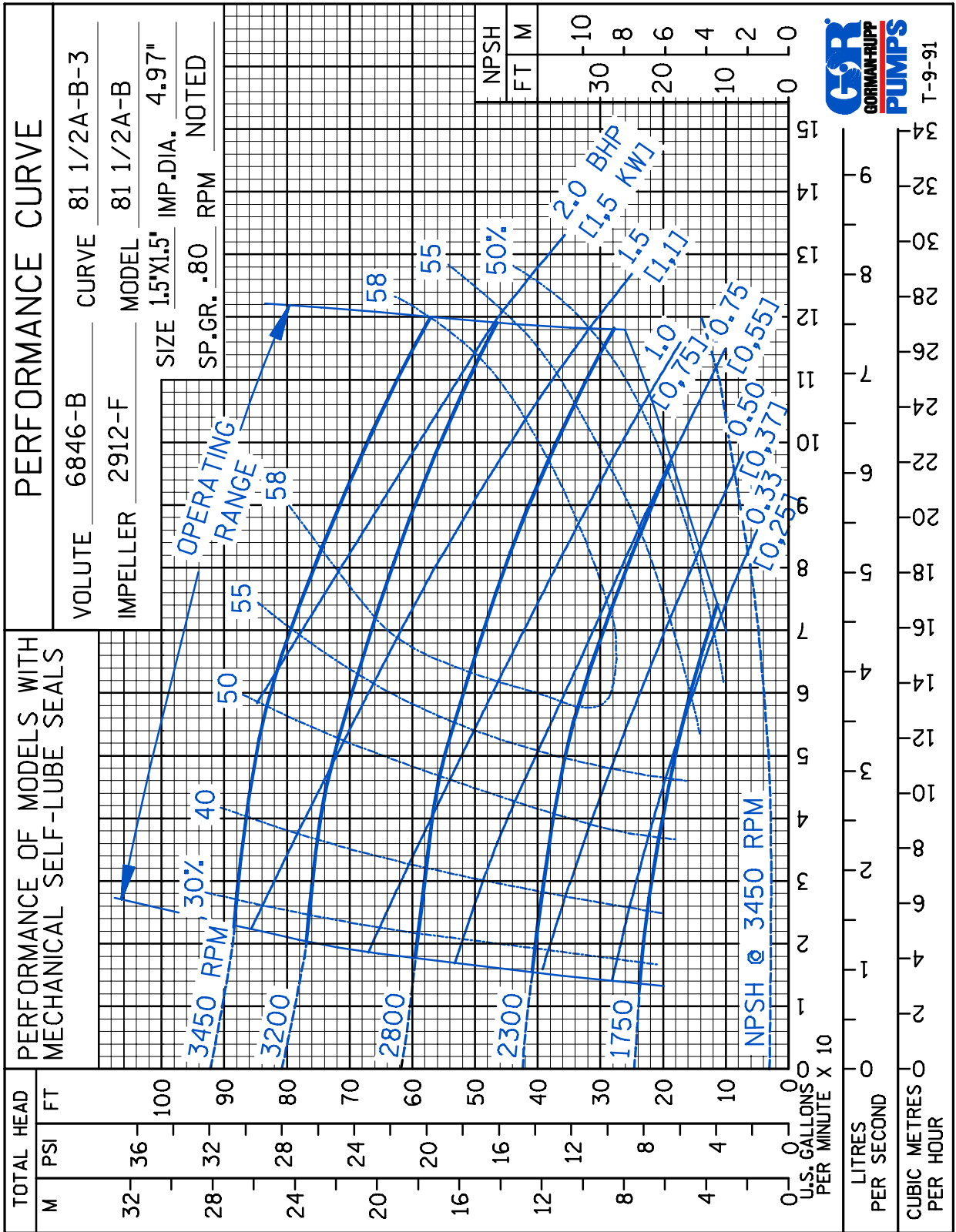


THE GORMAN-RUPP COMPANY • MANSFIELD, OHIO

GORMAN-RUPP OF CANADA LIMITED • ST. THOMAS, ONTARIO, CANADA

Specifications Subject to Change Without Notice

Printed in U.S.A.



T-9-91



THE GORMAN-RUPP COMPANY • MANSFIELD, OHIO

GORMAN-RUPP OF CANADA LIMITED • ST. THOMAS, ONTARIO, CANADA

Specifications Subject to Change Without Notice

Printed in U.S.A.