

COURTESY OF
MASCOTT EQUIPMENT COMPANY
Portland Seattle Tri-Cities
www.mascottec.com

83A1 – L100EE – X

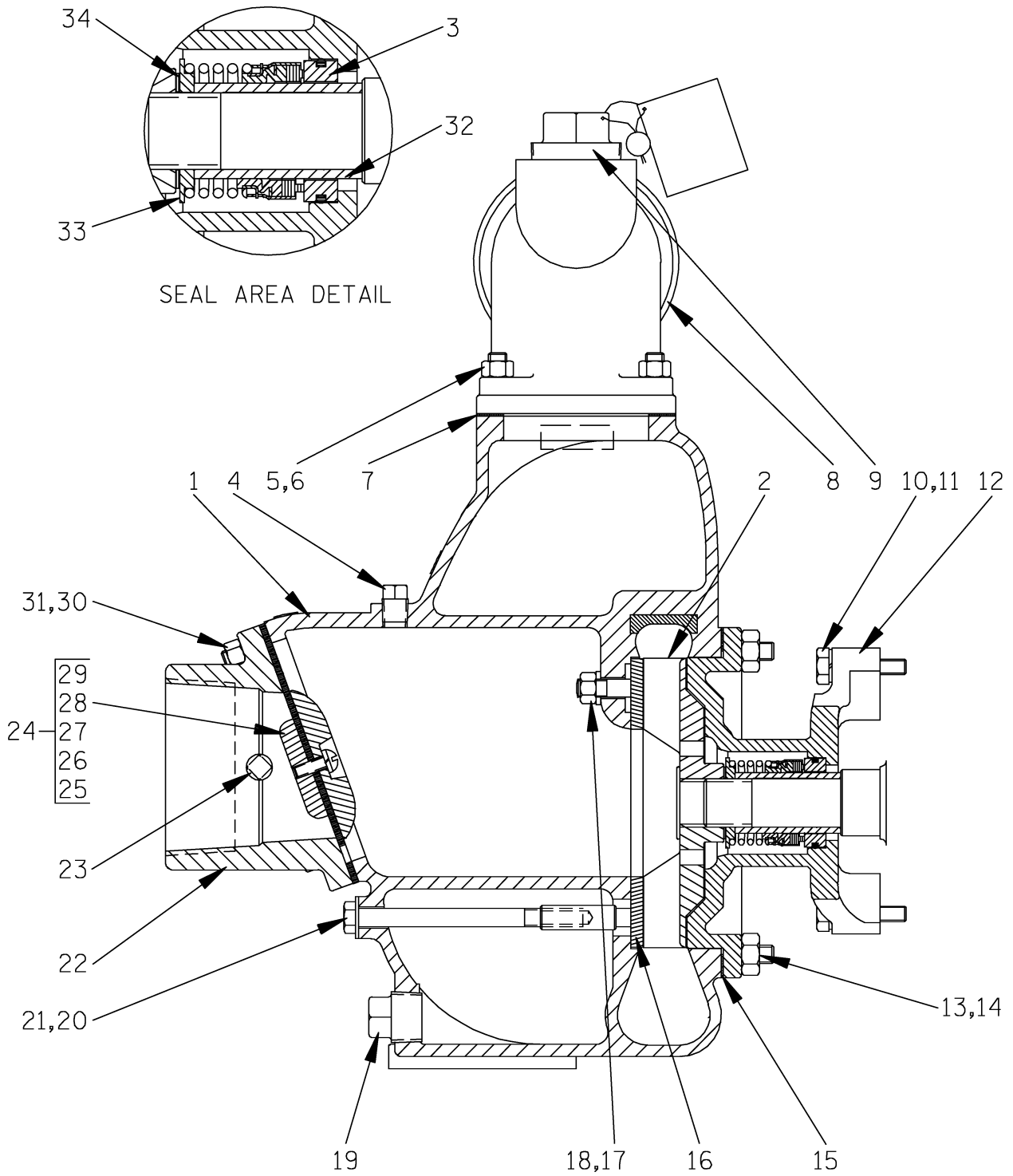
ABCEG

S/N 1215876 UP
PUMP ISSUE 1

If your pump serial number is followed by an "N", your pump is **NOT** a standard production model. Contact the Gorman-Rupp Company to verify part numbers.

ITEM NO.	PART NAME	PART NUMBER	MAT'L CODE	QTY
1	PUMP END ASSY	83A1 – (L100EE – X)	---	1
2	FLAT WASHER	K06	15991	2
3	HAND CARRY DECAL	2613FT	---	2
4	* GROUND WIRE ASSY	13830	---	1
5	HEX HD CAPSCREW	B0402	15991	1
6	FLANGED HEX NUT	21765-310	---	1
7	FUEL GUARD OVERSPILL	34851-248	15120	1
8	CAUTION PLATE	38816-146	13990	1
9	POP RIVET	11703	13990	4
10	HEX HD CAPSCREW	22645-127	---	1
11	LOCKWASHER	21171-510	---	1
12	FLAT WASHER	K05	15991	1
13	ROLLOVER BASE	41583-335	24150	1
14	YANMAR L100AE-DP ENGINE	29239-051	---	1
15	FOOT MOUNTING KIT	48152-603	---	1
16	* -RUBBER BUMPER	S1224	---	4
17	-FLAT WASHER	K05	15991	4
18	-FLANGED HEX NUT	21765-312	---	4
19	-HEX HD CAPSCREW	B0504	15991	4
20	FLAT WASHER	KE06	15991	2
21	FLANGED HEX NUT	21765-314	---	2
22	HEX HD CAPSCREW	B0606	15991	2
23	SPACER	31141-032	13000	2
24	FLAT WASHER	KE06	15991	4
25	HEX HD CAPSCREW	B0608	15991	2
26	FLANGED HEX NUT	21765-314	---	2
27	SPARK ARRESTER	29279-002	---	1

* INDICATES PARTS RECOMMENDED FOR STOCK



83A1 – L100EE – X

ABCEG

S/N 1215876 UP
PUMP ISSUE 1

If your pump serial number is followed by an "N", your pump is **NOT** a standard production model. Contact the Gorman-Rupp Company to verify part numbers.

ITEM NO.	PART NAME	PART NUMBER	MAT'L CODE	QTY	ITEM NO.	PART NAME	PART NUMBER	MAT'L CODE	QTY
1	PUMP CASING	6882B	13040	1	21 *	FLAT FIBER WASHER	KF06	18040	1
2 *	IMPELLER	6950	13040	1	22	SUCTION FLANGE	2946	10010	1
3 *	SEAL ASSY	25271-043	---	1	23	PIPE PLUG	P04	15079	1
4	PIPE PLUG	P04	15079	1	24	CHECK VALVE ASSY	544F	---	1
5	STUD	C0607	15991	4	25	-VALVE WEIGHT	18	10010	1
6	HEX NUT	D06	15991	4	26	-RD HD MACH SCREW	X0403	17090	1
7 *	DISCH FLANGE GSKT	543G	20000	1	27	-LOCKWASHER	J04	17090	1
8	DISCHARGE ELBOW	543	10010	1	28 *	-CHECK VALVE GSKT	544GB	19550	1
9	FILL PLUG ASSY	48271-066	---	1	29	-VALVE WEIGHT	1364	10010	1
10	HEX HD CAPSCREW	22645-538	---	4	30	STUD	C0606	15991	4
11	LOCKWASHER	21171-510	---	4	31	HEX NUT	D06	15991	4
12	INTERMEDIATE BRKT	38264-224	10010	1	32 *	SHAFT SLEEVE	2146B	16000	1
13	STUD	C0606	15991	6	33 *	SPRING SEAT	3863	17000	1
14	HEX NUT	D06	15991	6	34 *	IMP ADJ SHIM SET	2X	17090	1
15 *	CASING GASKET SET	229G	20010	1	NOT SHOWN:				
16 *	WEAR PLATE ASSY	6951	15990	1		NAME PLATE	38818-019	13990	1
17	HEX NUT	D06	15991	1		DRIVE SCREW	BM#04-03	17000	4
18	LOCKWASHER	J06	15991	1		SUCTION STICKER	6588AG	---	1
19	CASING DRAIN PLUG	P12	15079	1		PRIMING STICKER	6588AH	---	1
20	HEX HD CAPSCREW	B0618	15991	1		DISCHARGE STICKER	6588BJ	---	1

* INDICATES PARTS RECOMMENDED FOR STOCK