

A B C D E

Basic Pedestal

# Self Priming Centrifugal Pump

## Models 83A3-B and 83A52-B

### Size 3" x 3"

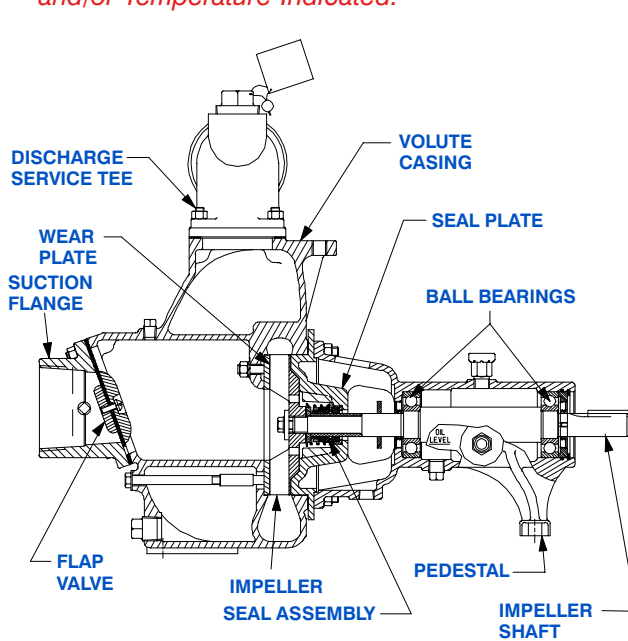


**PUMP SPECIFICATIONS**

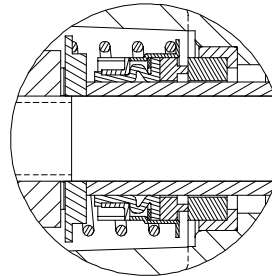
- Size:** 3" x 3" (76 mm x 76 mm) NPT - Female.
- Casing:** Gray Iron No. 30.  
Maximum Operating Pressure 87 psi (600 kPa)\*.
- Semi-Open Type, Four Vane Impeller:** Gray Iron No. 30.  
Handles 3/4" (19 mm) Diameter Spherical Solids
- Impeller Shaft:** Carbon Steel No. 1045.
- Replaceable Wear Plate:** Carbon Steel No. 1026.
- Pedestal:** Gray Iron No. 30.
- Shaft Sleeve:** Stainless Steel No. 304.
- Seal Plate:** Gray Iron No. 30.
- Flap Valve:** Buna-N<sup>W</sup>/Nylon Reinforcement and Gray Iron No. 30.
- Radial and Thrust Bearings:** Open Single Row Ball.
- Bearing Lubrication:** SAE No. 30 Non-Detergent Oil.
- Suction Flange:** Gray Iron No. 25.
- Gaskets:** Cork.
- Hardware:** Standard Plated Steel.
- Discharge Service Tee:** Gray Iron No. 30.
- Oil Level Sight Gauge.**
- Optional Equipment:** Strainer.  
Consult Factory for Additional Options.



*\*Consult Factory for Applications Exceeding Maximum Pressure and/or Temperature Indicated.*

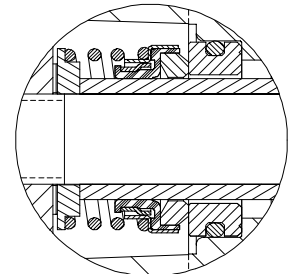


83A3-B SHOWN



**83A3-B SEAL DETAIL** Type 2, Mechanical, Self-Lubricated. Carbon Rotating Face. Ceramic Stationary Face. Buna-N Elastomers. Stainless Steel No. 18-8 Cage and Spring. Maximum Temperature of Liquid Pumped, 160°F (71 °C).\*

**83A52-B SEAL DETAIL** Type 31, Mechanical, Self-Lubricated. Silicon Carbide Rotating and Stationary Faces. Fluorocarbon Elastomers (DuPont Viton<sup>®</sup> or Equivalent). Stainless Steel No. 18-8 Cage and Spring. Maximum Temperature of Liquid Pumped 160°F (71 °C).\*



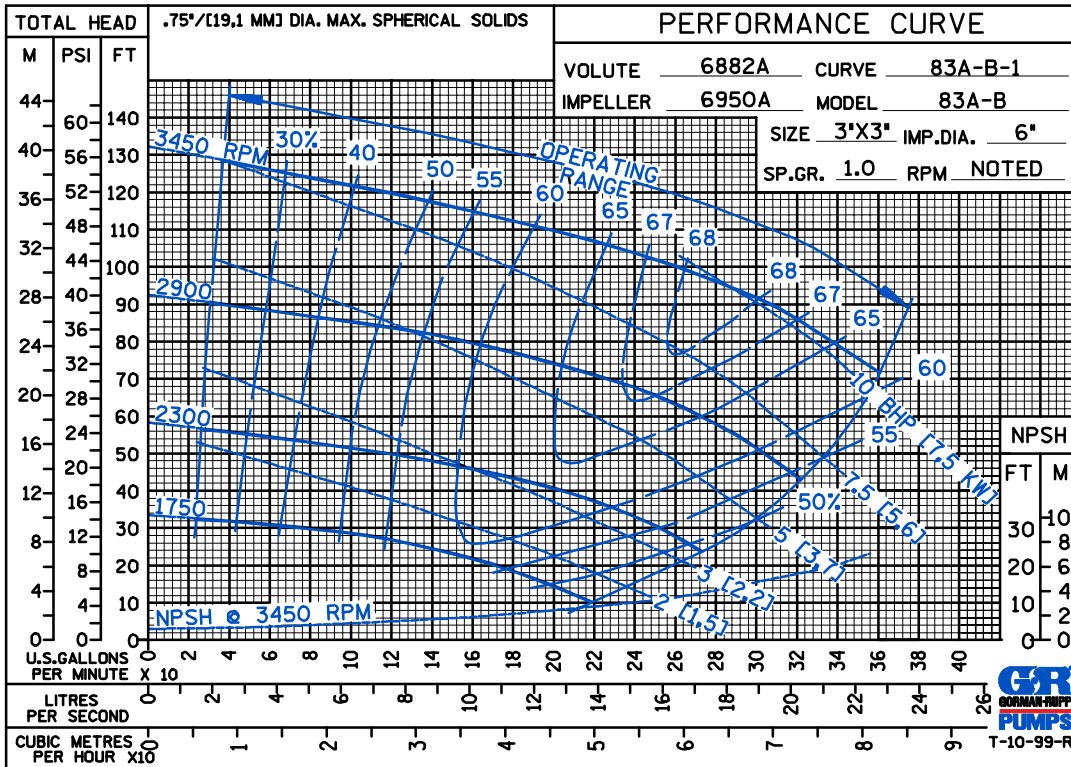
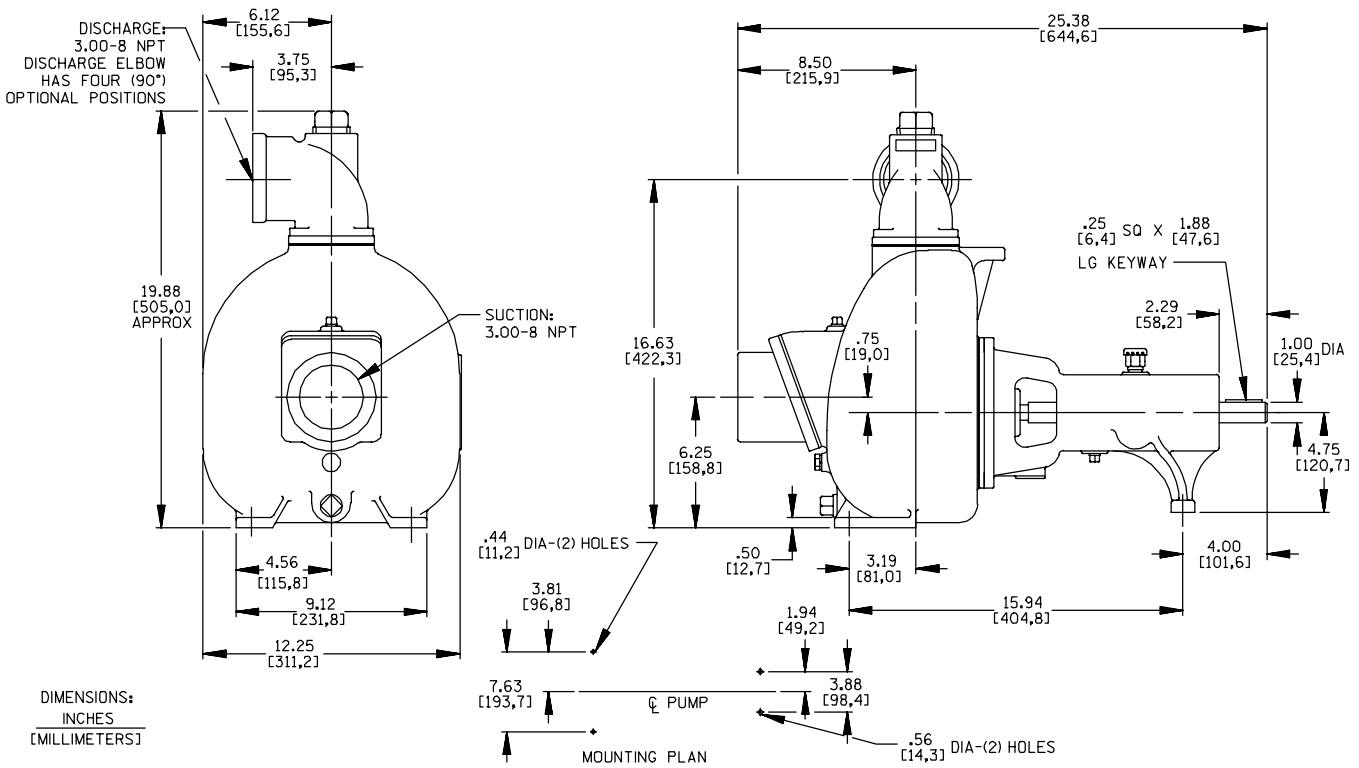
COURTESY OF  
**MASCOTT EQUIPMENT COMPANY**  
Portland Seattle Tri-Cities  
[www.mascottec.com](http://www.mascottec.com)

# Specification Data

SECTION 50, PAGE 1451

APPROXIMATE  
DIMENSIONS and WEIGHTS

**NET WEIGHT:** 115 LBS. (52,2 KG.)  
**SHIPPING WEIGHT:** 125 LBS. (56,7 KG.)  
**EXPORT CRATE:** 8.5 CU. FT. (0,24 CU. M.)



Specifications Subject to Change Without Notice

Printed in U.S.A.