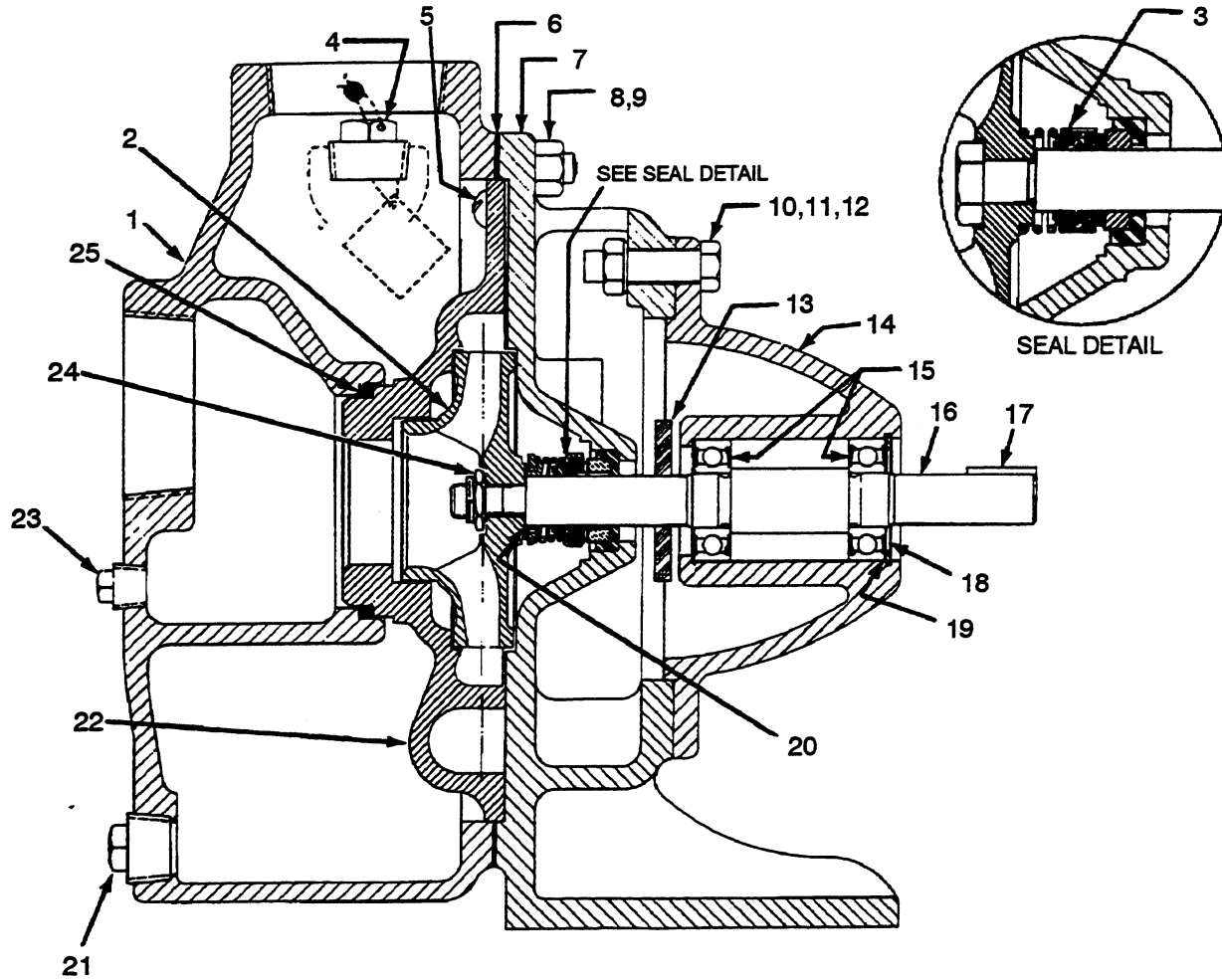


BC

02C3-B

S/N 259749 UP

PUMP ISSUE 2



If your pump serial number is followed by an "N", your pump is NOT a standard production model. Contact the Gorman-Rupp Company to verify part numbers.

ITEM NO.	PART NAME	PART NUMBER	MAT'L CODE	QTY	ITEM NO.	PART NAME	PART NUMBER	MAT'L CODE	QTY
1	VOLUTE HOUSING	6366	10010	1	15 *	BEARING	S0528	---	2
2 *	IMPELLER	5247A	14000	1	16 *	IMPELLER SHAFT	10673	15000	1
3 *	SEAL ASSY	25271-821	---	1	17	SHAFT KEY	N0303 1/2	15990	1
4	FILL PLUG ASSY	48271-060	---	1	18	BRG RETAIN RING	S0494	---	1
5	RND HD MACH SCREW	X0402	14990	3	19 *	BEARING SHIM SET	2X	17090	1
6 *	VOLUTE HSG GASKET	2958-GB	20000	1	20 *	IMPELLER SHIM SET	5889	17000	1
7	INTERMEDIATE	6367	10010	1	21	VOLUTE DRAIN PLUG	P08	15079	1
8	STUD	C0606	15991	8	22 *	VANE PLATE	6378	10010	1
9	HEX NUT	D06	15991	8	23	SUC PORT DRAIN PLUG	P04	15079	1
10	HEX HD CAPSCREW	B0606	15991	4	24	IMPELLER LOCK NUT	DC07-S	10010	1
11	LOCKWASHER	J06	15991	4	25 *	VANE PLATE O-RING	6378	10010	1
12	HEX NUT	D06	15991	4	NOT SHOWN:				
13 *	SLINGER RING	31131-062	19120	1		NAME PLATE	2613-AY	13990	1
14	BEARING HSG	10671	10010	1		ROTATION DECAL	2613-CU	---	1

* INDICATES PARTS RECOMMENDED FOR STOCK