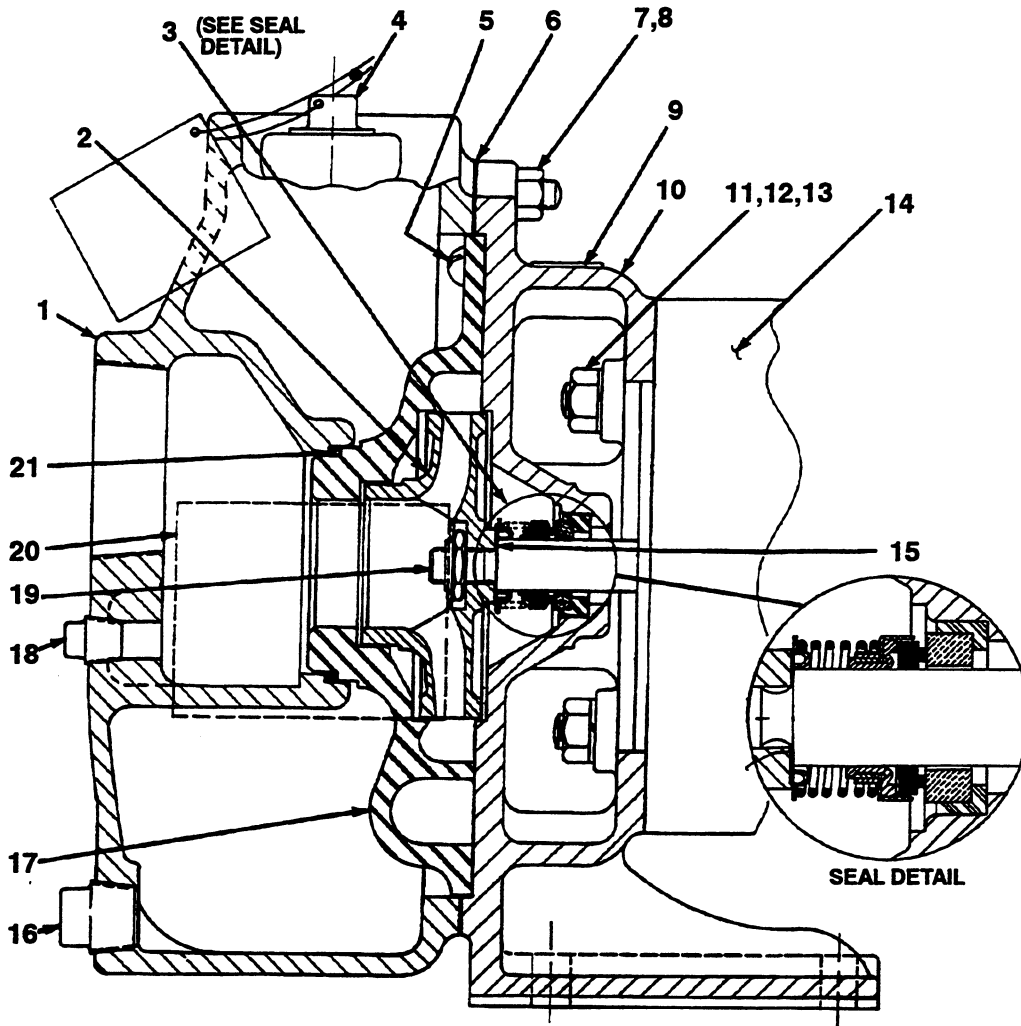


If your pump serial number is followed by an "N", your pump is NOT a standard production model. Contact the Gorman-Rupp Company to verify part numbers.

ITEM NO.	PART NAME	PART NUMBER	MAT'L CODE	QTY	ITEM NO.	PART NAME	PART NUMBER	MAT'L CODE	QTY
1	VOLUTE HOUSING	6366	10010	1	15 *	IMP SHIM SET	5889	17000	1
2 *	IMPELLER	5247A	14000	1	16	VOLUTE DRAIN PLUG	P08	15079	1
3 *	SEAL ASSEMBLY	25271-821	----	1	17 *	VANE PLATE	6378	10010	1
4	FILL PLUG ASSY	48271-060	----	1	18	SUC PORT DRAIN PLUG	P04	15079	1
5	RND HD MACH SCREW	X0402	14990	3	19	IMP LOCK NUT	AT07S	15991	1
6 *	VOLUTE HSG GSKT	2958GB	20000	1	20	NAMEPLATE	38818-020	13990	1
7	STUD	C0606	15991	8	21 *	VANEPLATE O-RING	S1487	----	1
8	HEX NUT	D06	15991	8	NOT SHOWN:				
9	DIRECTION PLATE	2613M	----	1		CLOSE NIPPLE	THA16	15079	1
10 *	INTERMEDIATE	6367	10010	1		RED. COUPLING	AE1612	15070	1
11	STUD	C0606	15991	4		HVY WALL PIPE NIPPLE	THA1206	15070	1
12	HEX NUT	D06	15991	4	OPTIONAL:				
13	LOCKWASHER	J06	15991	4		CONDUIT BOX	27144-124	----	1
14	MOTOR, 2 HP, 1P	M33	----	1		WHEEL KIT	GRP 30-6A	----	1

* INDICATES PARTS RECOMMENDED FOR STOCK



If your pump serial number is followed by an "N", your pump is NOT a standard production model. Contact the Gorman-Rupp Company to verify part numbers.

ITEM NO.	PART NAME	PART NUMBER	MAT'L CODE	QTY	ITEM NO.	PART NAME	PART NUMBER	MAT'L CODE	QTY
1	VOLUTE HOUSING	6366	10010	1	15 *	IMP SHIM SET	5889	17000	1
2 *	IMPELLER	5247A	14000	1	16	VOLUTE DRAIN PLUG	P08	15079	1
3 *	SEAL ASSEMBLY	25271-821	----	1	17 *	VANE PLATE	6378	10010	1
4	FILL PLUG ASSY	48271-060	----	1	18	SUC PORT DRAIN PLUG	P04	15079	1
5	RND HD MACH SCREW	X0402	14990	3	19	IMP LOCK NUT	AT07S	15991	1
6 *	VOLUTE HSG GSKT	2958GB	20000	1	20	NAMEPLATE	38818-020	13990	1
7	STUD	C0606	15991	8	21 *	VANEPLATE O-RING	S1487	----	1
8	HEX NUT	D06	15991	8	NOT SHOWN:				
9	DIRECTION PLATE	2613M	----	1		CLOSE NIPPLE	THA16	15079	1
10 *	INTERMEDIATE	6367	10010	1		RED. COUPLING	AE1612	15070	1
11	STUD	C0606	15991	4		HVY WALL PIPE NIPPLE	THA1206	15070	1
12	HEX NUT	D06	15991	4	OPTIONAL:				
13	LOCKWASHER	J06	15991	4		CONDUIT BOX	27144-124	----	1
14	MOTOR, 2 HP, 3P, XP	M34	----	1		WHEEL KIT	GRP 30-6A	----	1

* INDICATES PARTS RECOMMENDED FOR STOCK