

BC

Basic Pedestal



# Self Priming Centrifugal Pump

Models 02K3-B, 02K11-B and 02K31-B

Size 2" x 2"

**PUMP SPECIFICATIONS**

**Size:** 2" x 2" (51 mm x 51 mm) NPT – Female.

**Casing:**

(02K3-B and 02K11-B): Gray Iron No. 30.

(02K31-B): Ductile Iron No. 60-40-18.

Maximum Operating Pressure 55 psi (379 kPa).\*

**Enclosed Type, Four Vane Impeller:** Copper Alloy No. C83600.

Handles 3/8" (9,5 mm) Diameter Spherical Solids.

**Impeller Shaft:** (02K3-B and 02K31-B): Carbon Steel No. 1215.

(02K11-B): Stainless Steel No. 303/304.

**Replaceable Vane Plate:** Gray Iron No. 30.

**Intermediate:**

(02K3-B and 02K11-B): Gray Iron No. 30.

(02K31-B): Ductile Iron No. 60-40-18.

**Bearing Housing:** Gray Iron No. 30.

**Thrust and Radial Bearings:** Sealed Single Row Ball Type.

**Gaskets:**

(02K3-B and 02K31-B): Cork w/Nitrile Binder NC710.

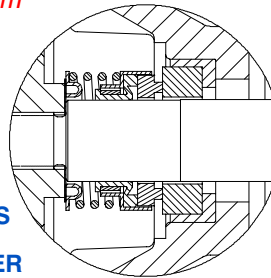
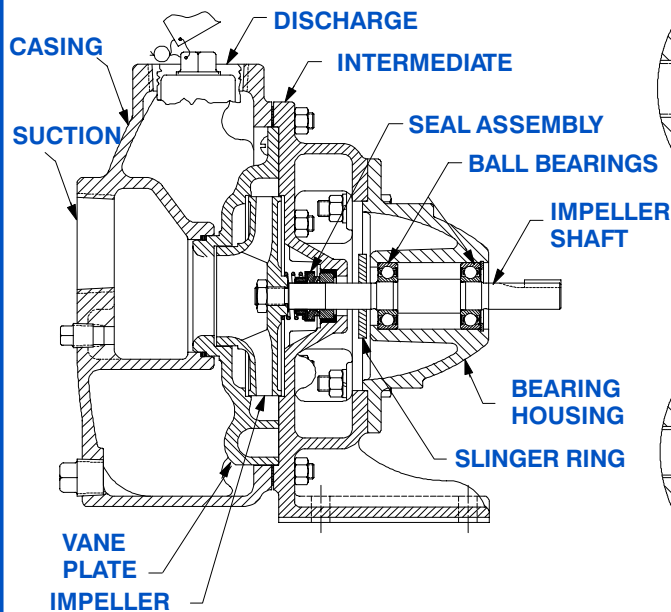
(02K11-B): PTFE.

**O-Ring:** Fluorocarbon (DuPont Viton® or Equivalent).

**Hardware:** Standard Plated Steel.

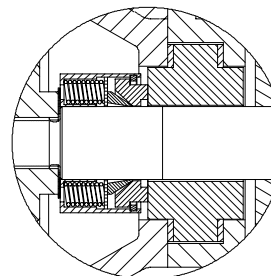
**Optional Equipment:** All Iron Construction.

*\*Consult Factory for Applications Exceeding Maximum Pressure and/or Temperature Indicated.*



**SEAL SPECIFICATIONS:  
02K3-B and 02K31-B**

Type 21, Mechanical, Self-Lubricated. Carbon Rotating Face. Ni-Resist Stationary Face. Fluorocarbon Elastomers (DuPont Viton® or Equivalent). Stainless Steel No. 18-8 Cage and Spring. Maximum Temperature of Liquid Pumped, 160°F. (71°C).\*



**SEAL SPECIFICATIONS:  
02K11-B**

Type 9, Mechanical, Self-Lubricated. Carbon Rotating Face. Ceramic Stationary Face. PTFE Elastomers. Stainless Steel No. 316 Cage and Spring. Maximum Temperature of Liquid Pumped, 160°F. (71°C).\*



COURTESY OF  
**MASCOTT EQUIPMENT COMPANY**  
Portland Seattle Tri-Cities  
[www.mascottec.com](http://www.mascottec.com)

Printed in U.S.A.

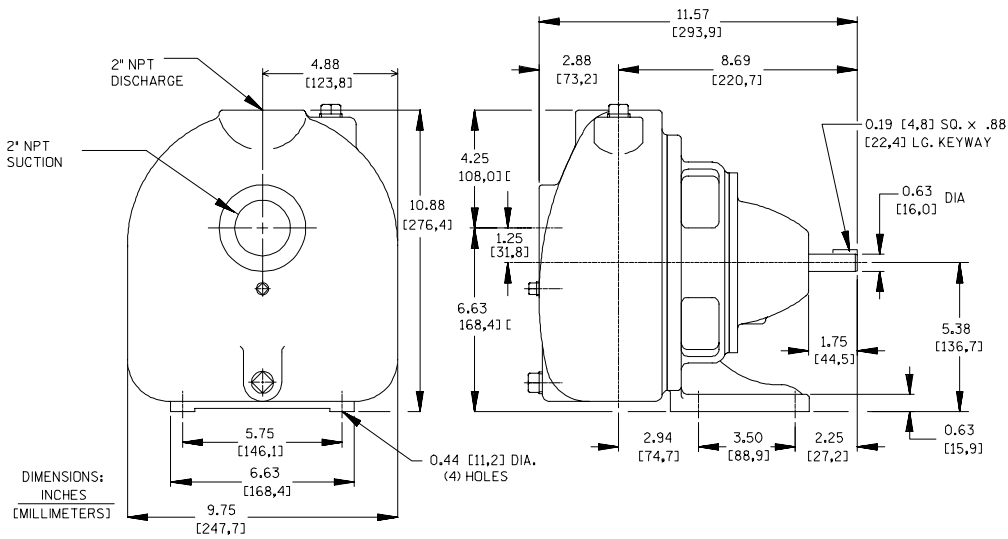
**Specification Data**

**SECTION 30, PAGE 825**

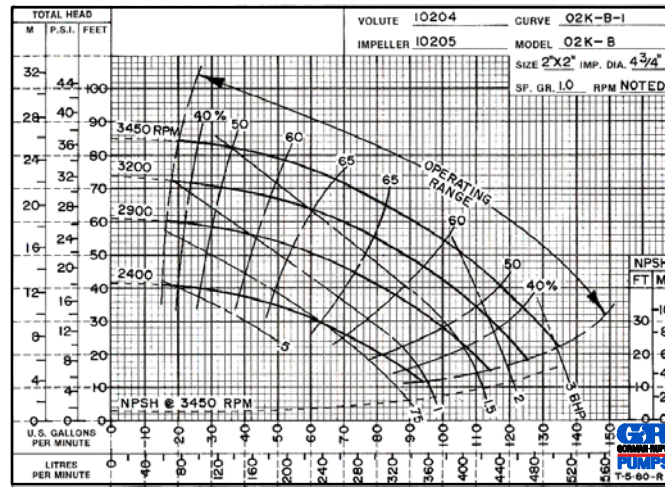
APPROXIMATE  
DIMENSIONS and WEIGHTS

**NET WEIGHT:**  
**SHIPPING WEIGHT:**  
**EXPORT CRATE:**

**46 LBS. (21 KG.)**  
**56 LBS. (25 KG.)**  
**2.3 CU FT. (1.76 CU. M.)**



**PERFORMANCE  
BASED ON  
WATER**



**PERFORMANCE  
BASED ON  
PETROLEUM**

