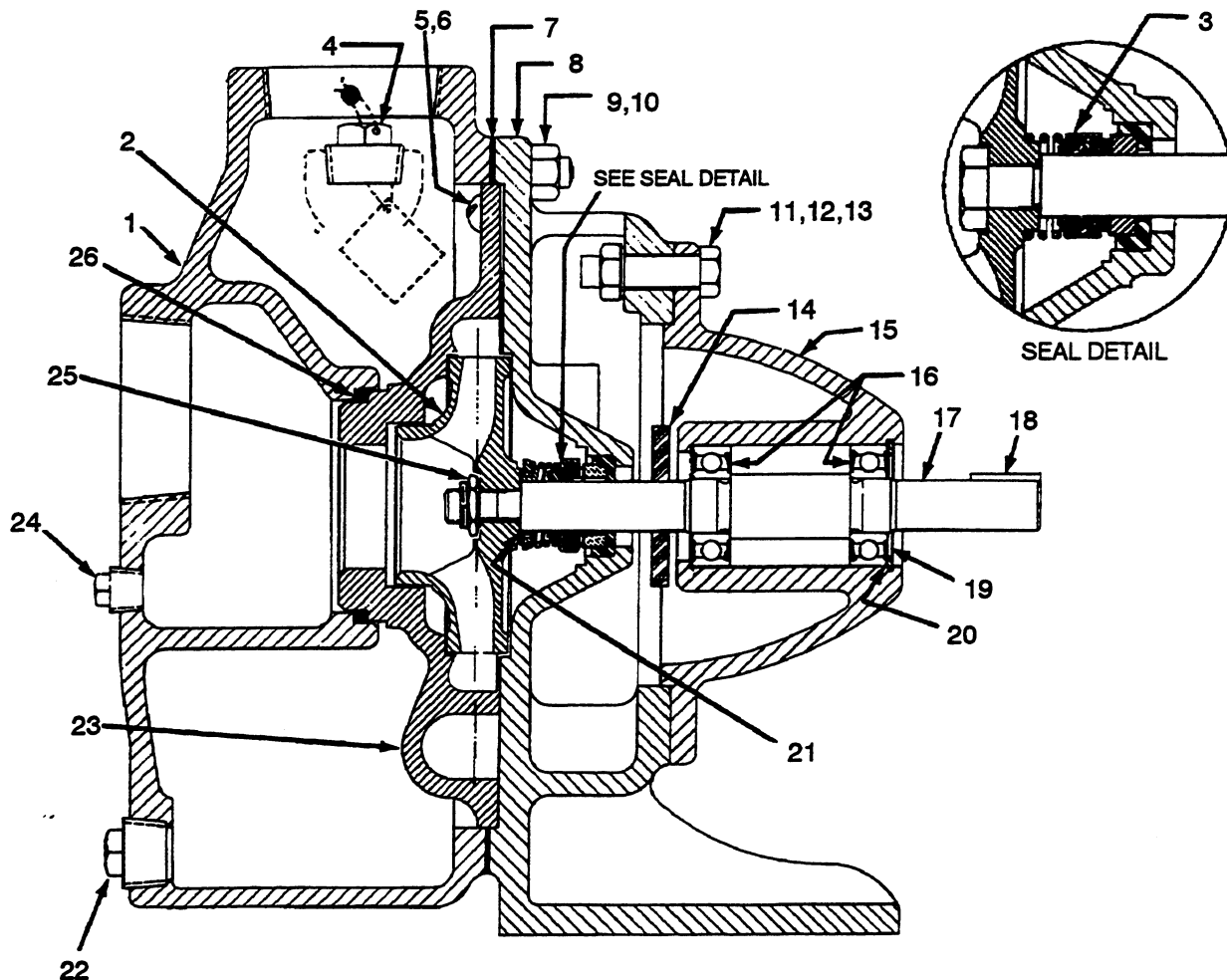


BC



If your pump serial number is followed by an "N", your pump is NOT a standard production model. Contact the Gorman-Rupp Company to verify part numbers.

ITEM NO.	PART NAME	PART NUMBER	MAT'L CODE	QTY	ITEM NO.	PART NAME	PART NUMBER	MAT'L CODE	QTY
1	VOLUTE HOUSING	6366	11000	1	17 *	IMPELLER SHAFT	10673	15000	1
2 *	IMPELLER	10205	14000	1	18	SHAFT KEY	N0303 1/2	15990	1
3 *	SEAL ASSEMBLY	25271-821	----	1	19	BRG RETAINING RING	S0494	----	1
4	FILL PLUG ASSY	48271-060	----	1	20 *	BRG SHIM SET	2X	17090	1
5	RND HD MACH SCREW	X0402	14990	1	21 *	IMPELLER SHIM SET	5889	17000	1
6	RND HD MACH SCREW	X0405	14990	2	22	VOLUTE DRAIN PLUG	P08	15079	1
7 *	VOLUTE HSG GSKT	2958GB	20000	1	23 *	VANE PLATE	10204	10010	1
8	INTERMEDIATE	6367C	11000	1	24	SUC PORT DRAIN PLUG	P04	15079	1
9	STUD	C0606	15991	8	25	IMPELLER LOCK NUT	AT07-S	15991	1
10	HEX NUT	D06	15991	8	26 *	VANE PLATE O-RING	S1487	----	1
11	HEX HD CAPSCREW	B0606	15991	4	NOT SHOWN:				
12	LOCKWASHER	J06	15991	4		NAME PLATE	38818-020	13990	1
13	HEX NUT	D06	15991	4		ROTATION DECAL	2613M	----	1
14 *	SLINGER RING	31131-062	19330	1		SUCTION STICKER	6588AG	----	1
15	BEARING HOUSING	10671	10010	1		DISCHARGE STICKER	6588BJ	----	1
16 *	BEARING	S0528	----	2					

\* INDICATES PARTS RECOMMENDED FOR STOCK