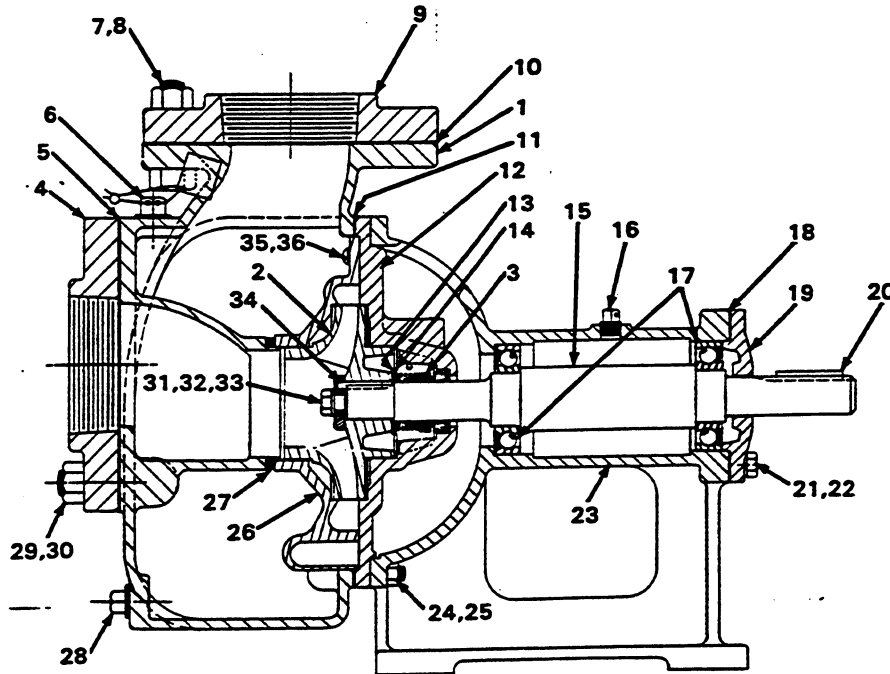


COURTESY OF
MASCOTT EQUIPMENT COMPANY
 Portland Seattle Tri-Cities
 www.mascottec.com



ITEM NO.	PART NAME	PART NUMBER	MAT'L CODE	QTY	ITEM NO.	PART NAME	PART NUMBER	MAT'L CODE	QTY
1	VOLUTE HOUSING	5631A	11000	1	22	LOCKWASHER	J06	15991	4
2 *	IMPELLER	5633A	14000	1	23	PEDESTAL	2947A	10010	1
3 *	SEAL ASSEMBLY	25271-866	----	1	24	STUD	C0607	15991	8
4	SUCTION FLANGE	1753A	11000	1	25	HEX NUT	D06	15991	8
5 *	SUC FLANGE GSKT	1674GB	20000	1	26 *	VANE PLATE	5632	10010	1
6	FILL PLUG ASSY	48271-060	----	1	27 *	SEAL RING	1136	19140	1
7	HEX HD CAPSCREW	B1009	15991	4	28	VOLUTE DRAIN PLUG	P08	11990	1
8	HEX NUT	D10	15991	4	29	STUD	C1009	15991	4
9	DISCH FLANGE	1753A	11000	1	30	HEX NUT	D10	15991	4
10 *	DISCH FLNG GSKT	1674GB	2000	1	31	IMP CAPSCREW	BT0604	15991	1
11 *	VOLUTE HSG GSKT SET	2474GA	20000	1	32	IMP T-LOCKWASHER	J06	15991	1
12	SEAL PLATE	5634D	11000	1	33	IMP WASHER	6750	13090	1
13 *	IMP SHIM SET	2Z	17090	1	34	IMP KEY	N0304 1/2	15990	1
14	SPRING CNTR WASHER	13985	17010	1	35	LOCKWASHER	J04	15991	1
15 *	IMP SHAFT	5629	15010	1	36	RND HD MACH SCREW	X0402 1/2	14990	1
16	VENTED PED PLUG	4823	11990	1	NOT SHOWN:				
17 *	BEARING	S310	----	2	NAME PLATE	38818-018	13990	1	
18 *	BRG SHIM SET	8841	14990	1	ROTATION DECAL	2613M	----	1	
19	BEARING CAP	2009B	10010	1	DISCH STICKER	6588BJ	----	1	
20	SHAFT KEY	N0407	15990	1	SUCTION STICKER	6588AG	----	1	
21	HEX HD CAPSCREW	B0604	15991	4	DRIVE SCREW	BM#04-03	15990	4	

* INDICATES PARTS RECOMMENDED FOR STOCK