

B C

## Basic Pedestal



## Self Priming Centrifugal Pump

Model 03B31-B

Size 3" x 3"

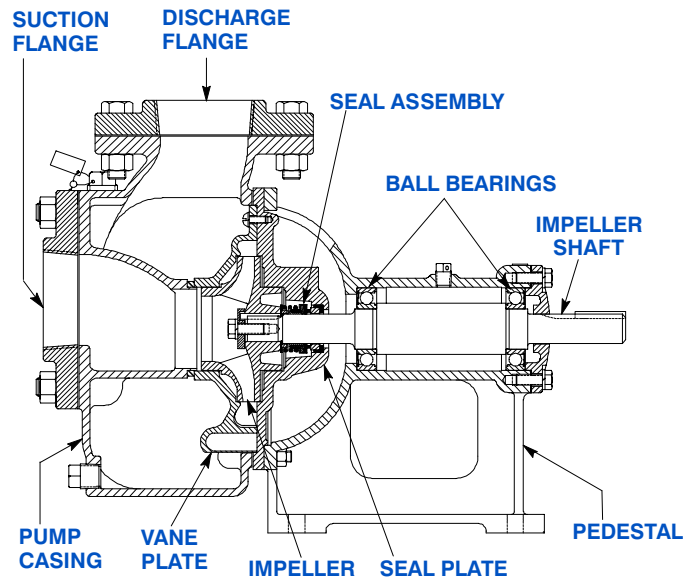
## PUMP SPECIFICATIONS

**Size:** 3" x 3" (76 mm x 76 mm) NPT - Female**Casing:** Ductile Iron No. 60-40-18.

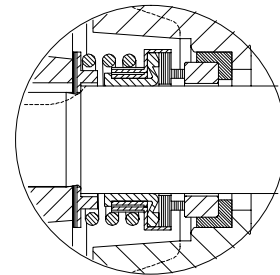
Maximum Operating Pressure 59 psi (407 kPa).\*

**Enclosed Type, Five Vane Impeller:** Copper Alloy No. C83600.

Handles 3/8" (9,5 mm) Diameter Spherical Solids.

**Impeller Shaft:** Carbon Steel No. 1045.**Replaceable Vane Plate:** Gray Iron No. 30.**Pedestal:** Gray Iron No. 30.**Seal Plate:** Ductile Iron No. 60-40-18.**Radial and Thrust Bearings:** Open Single Row Ball.**Bearing Lubrication:** Grease.**Flanges:** Ductile Iron No. 60-40-18.**Gaskets:** Cork <sup>w</sup>/Nitrile Binder NC710.**Hardware:** Standard Plated Steel**Optional Equipment:** All Iron Construction.*\*Consult Factory for Applications Exceeding Maximum Pressure and/or Temperature Indicated.*

## SEAL DETAIL



## SEAL SPECIFICATIONS:

Type 21, Mechanical Self-Lubricated. Carbon Rotating Face. Ni-Resist Stationary Face. Fluorocarbon Elastomers (DuPont Viton<sup>®</sup> or Equivalent). Stainless Steel No. 18-8 Cage and Spring. Maximum Temperature of Liquid Pumped, 160°F (71°C).\*



COURTESY OF  
MASCOTT EQUIPMENT COMPANY  
Portland Seattle Tri-Cities  
[www.mascottec.com](http://www.mascottec.com)

Printed in U.S.A.

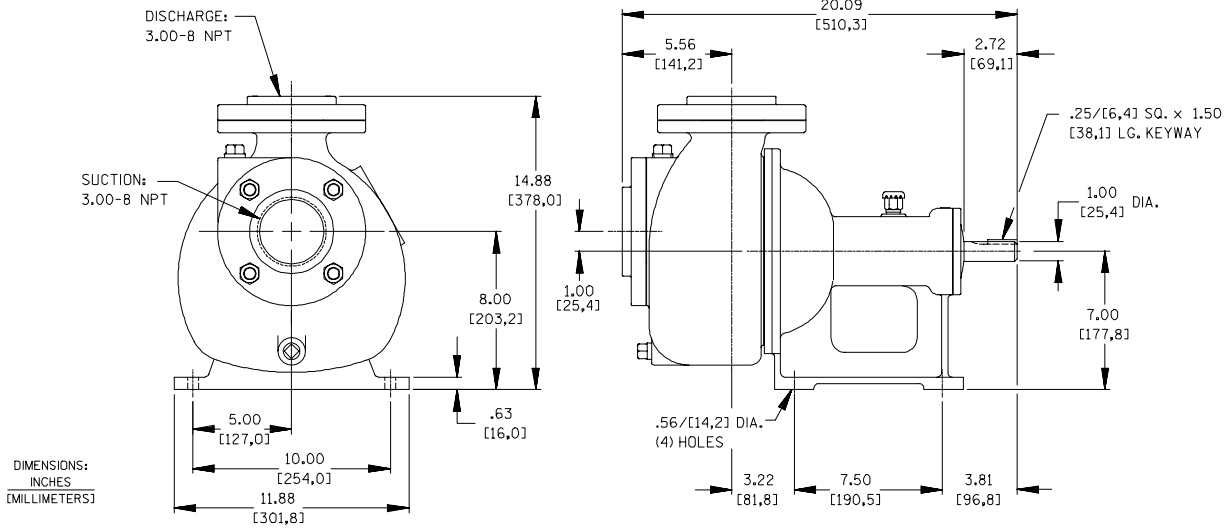
**Specification Data**

SECTION 30, PAGE 1200

APPROXIMATE  
DIMENSIONS and WEIGHTS

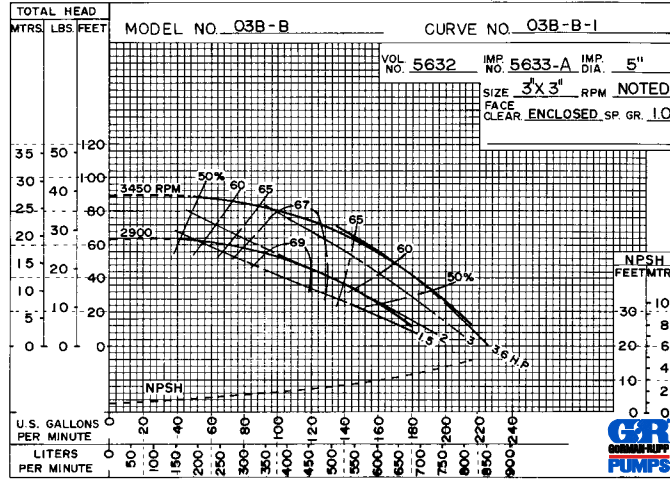
NET WEIGHT:  
SHIPPING WEIGHTS:  
EXPORT CRATE:

109 LBS. (49 KGS.)  
119 LBS. (54 KGS.)  
3.5 CU. FT. (0,1 CU. M.)



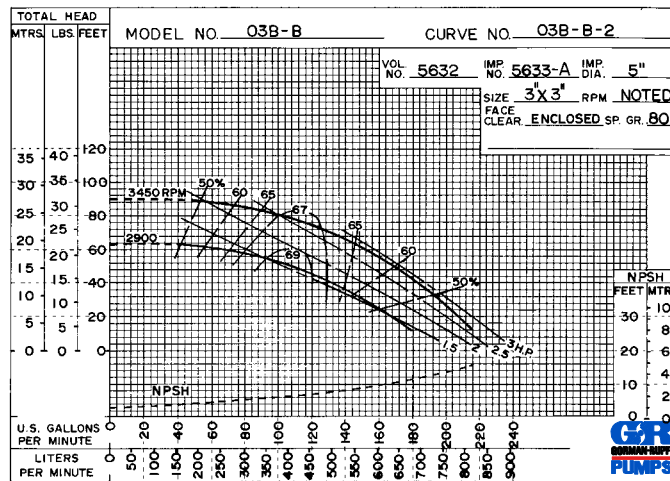
DIMENSIONS:  
INCHES  
[MILLIMETERS]

PERFORMANCE  
BASED ON  
WATER



T-4-15-71-REV.

PERFORMANCE  
BASED ON  
PETROLEUM



T-4-15-71-REV.



Printed in U.S.A.