

BCE

Basic Pedestal



Self Priming Centrifugal Pump

Model 03J1-B

Size 3" x 3"

PUMP SPECIFICATIONS

Size: 3" x 3" (76 mm x 76 mm) NPT - Female.**Casing:** Aluminum No. 356-T6.

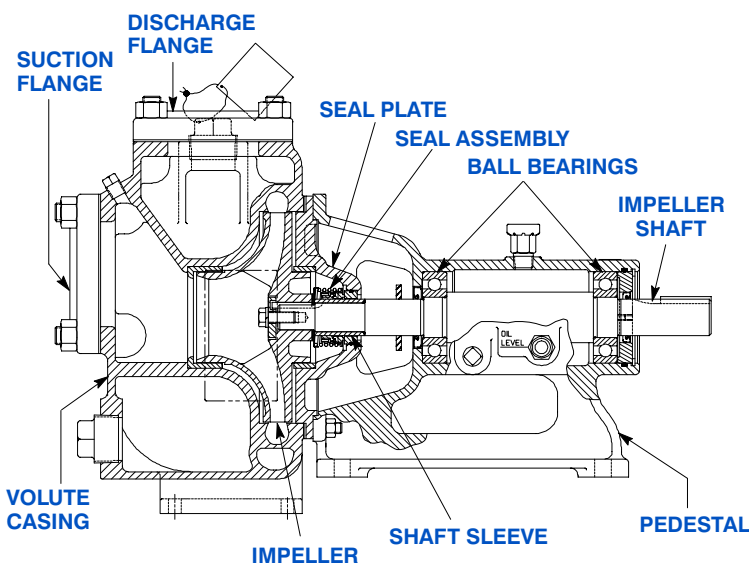
Maximum Operating Pressure 124 psi (855 kPa).*

Enclosed Type, Three Vane Impeller: Aluminum Alloy 356-T6.

Handles 1/2" (12,7 mm) Diameter Spherical Solids.

Impeller Shaft: Alloy Steel No. 4150M.**Replaceable Wear Rings:** Copper Alloy C93200.**Pedestal:** Gray Iron No. 30.**Seal Plate:** Aluminum Alloy 356-T6.**Shaft Sleeve:** Alloy Steel 4130.**Radial and Thrust Bearings:** Open Single Row Ball.**Bearing Lubrication:** SAE No. 30 Non-Detergent Oil.**Flanges:** Aluminum No. 356-T6.**Gaskets:** Composition Cork and Buna-N.**Hardware:** Standard Plated Steel.**Oil Level Sight Gauge.****Optional Equipment:** Victaulic™ Flanges.**Consult Factory for Applications Exceeding Maximum Pressure and/or Temperature Indicated.*

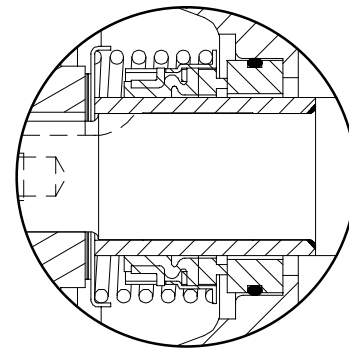
Victaulic is a Registered Trademark of Victaulic Company of America.



SEAL SPECIFICATIONS

Type 2 Mechanical Self-Lubricated. Carbon Rotating Face. Ni-Resist Stationary Face. Fluorocarbon Elastomers (DuPont Viton® or Equivalent). Stainless Steel No. 18-8 Cage and Spring. Maximum Temperature of Liquid Pumped, 160°F (71°C).*

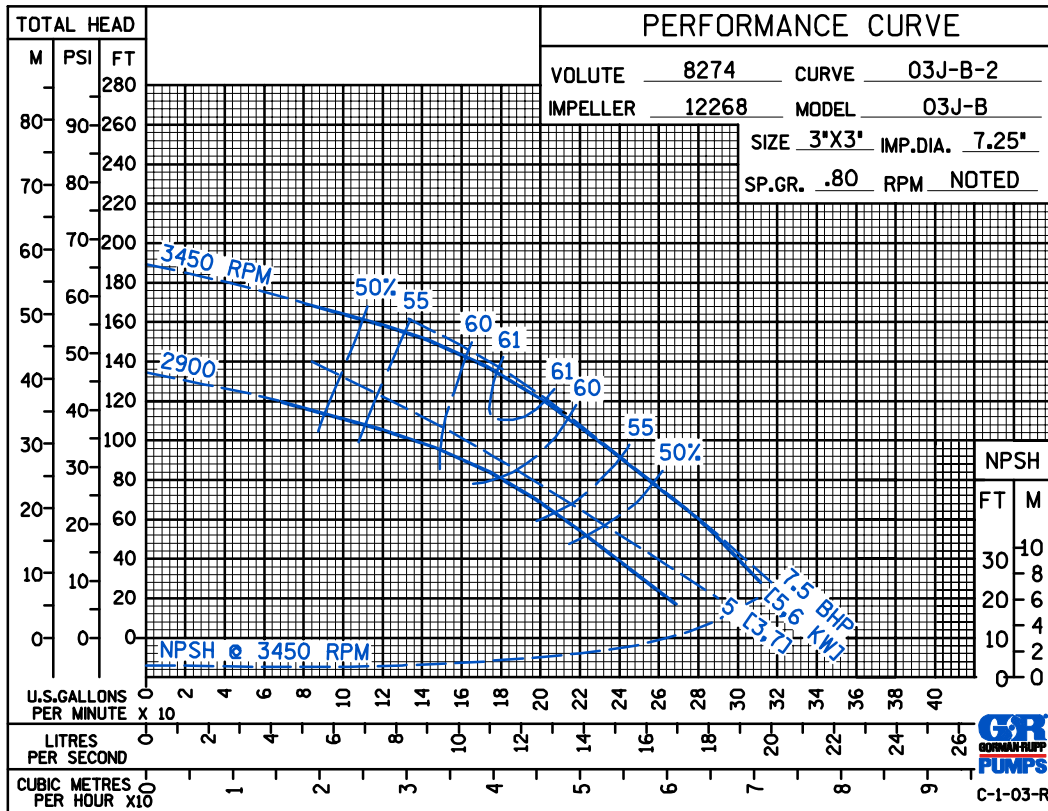
SEAL DETAIL



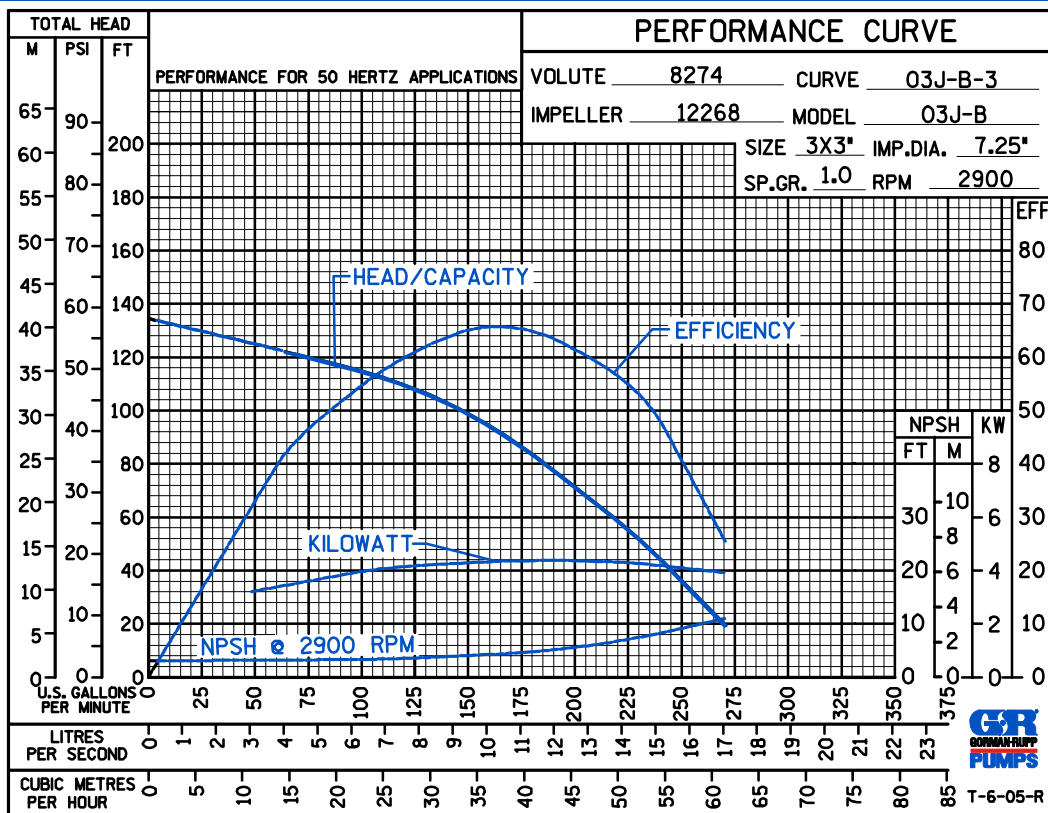
COURTESY OF
MASCOTT EQUIPMENT COMPANY
 Portland Seattle Tri-Cities
www.mascottec.com

Printed in U.S.A.

BCE



PERFORMANCE BASED ON PETROLEUM



50 HZ PERFORMANCE BASED ON WATER



Mascott Equipment Co
 Portland Seattle Pasco
 (800) 452-5019 (800) 481-7311 (888) 450-7867