

B

Basic Pump



Self Priming Centrifugal Pump

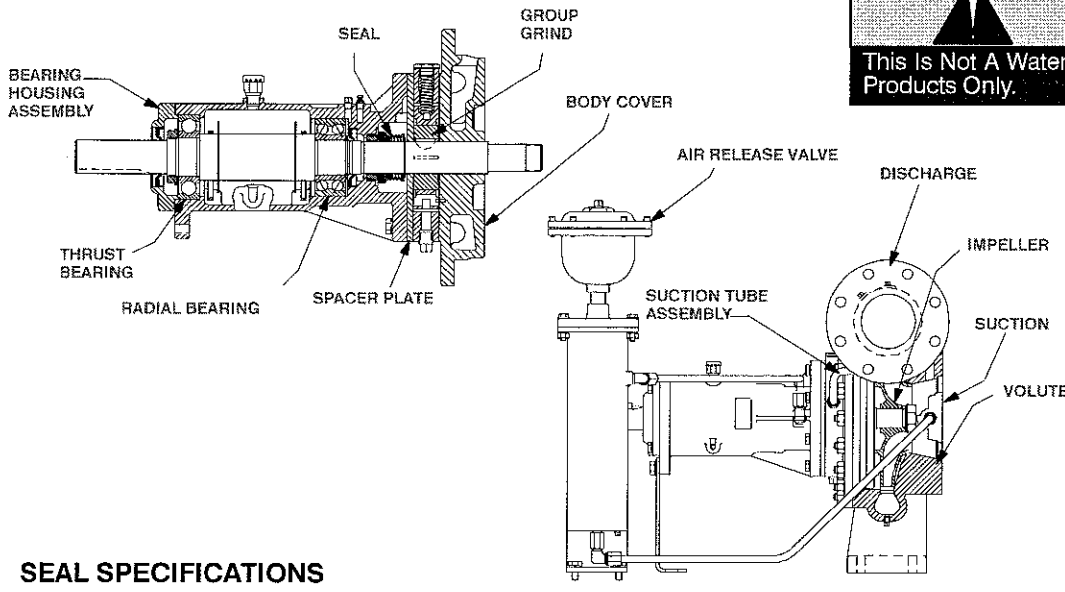
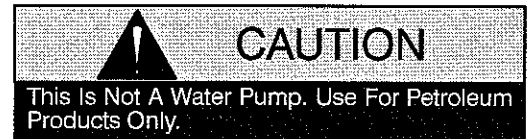
Models RD4A31 – BAR and RD4A32 – BAR  
Size 6" x 4"

**PUMP SPECIFICATIONS**

Size: 6" x 4" (152mm x 102 mm) Flanged.  
 Casing: (RD4A31-BAR) Ductile Iron No. 65-45-12.  
 (RD4A32-BAR) Cast Steel 70-36.  
 Maximum Operating Pressure 203 PSI (1386 kPa).  
 Enclosed Type, Five Vane Impeller: Aluminum 356-T6.  
 Handles 1/2" (12,7 mm) Diameter Spherical Solids.  
 Impeller Shaft: Steel No.1045.  
 Rotor: Copper Alloy C93400.  
 Bearing Housing: Ductile Iron No. 65-45-12.  
 Body Cover: (RD4A31-BAR) Ductile Iron No. 65-45-12.  
 (RD4A32-BAR) Cast Steel 70-36.  
 Center/Spacer Plate: (RD4A31-BAR) Ductile Iron No. 65-45-12.  
 (RD4A32-BAR) Cast Steel 70-36.  
 Radial Bearing: Open Double Row Ball Type.  
 Thrust Bearing: Open Single Row Ball Type.  
 Bearing Lubrication: SAE No. 30 Non-Detergent Oil.  
 Gaskets: Vegetable Fiber, PTFE and Cork.  
 Priming: Rotary Vane Type Priming Pump.  
 Air Release Valve : Cast Iron/Stainless Steel.  
 Optional Equipment: Stainless Steel No. 416 Impeller Shaft, PTFE Seal with Fluorocarbon O-Ring, PTFE Seal with Buna-N O-Ring, Standard 4" Check Valve (Required for Priming).

Photo Unavailable at Printing

\*Consult Factory for Applications Exceeding Maximum Pressure and/or Temperature Indicated.



**SEAL SPECIFICATIONS**

Seal: Mechanical; Self-Lubricated. Fluorocarbon Elastomers (DuPont Viton® or Equivalent). Carbon Rotating Face; Ni-Resist Stationary Face; Maximum Temperature of Liquid Pumped is 160°F (71°C).\*



COURTESY OF  
**MASCOTT EQUIPMENT COMPANY**  
 Portland Seattle Tri-Cities  
[www.mascottec.com](http://www.mascottec.com)

**Specification Data**

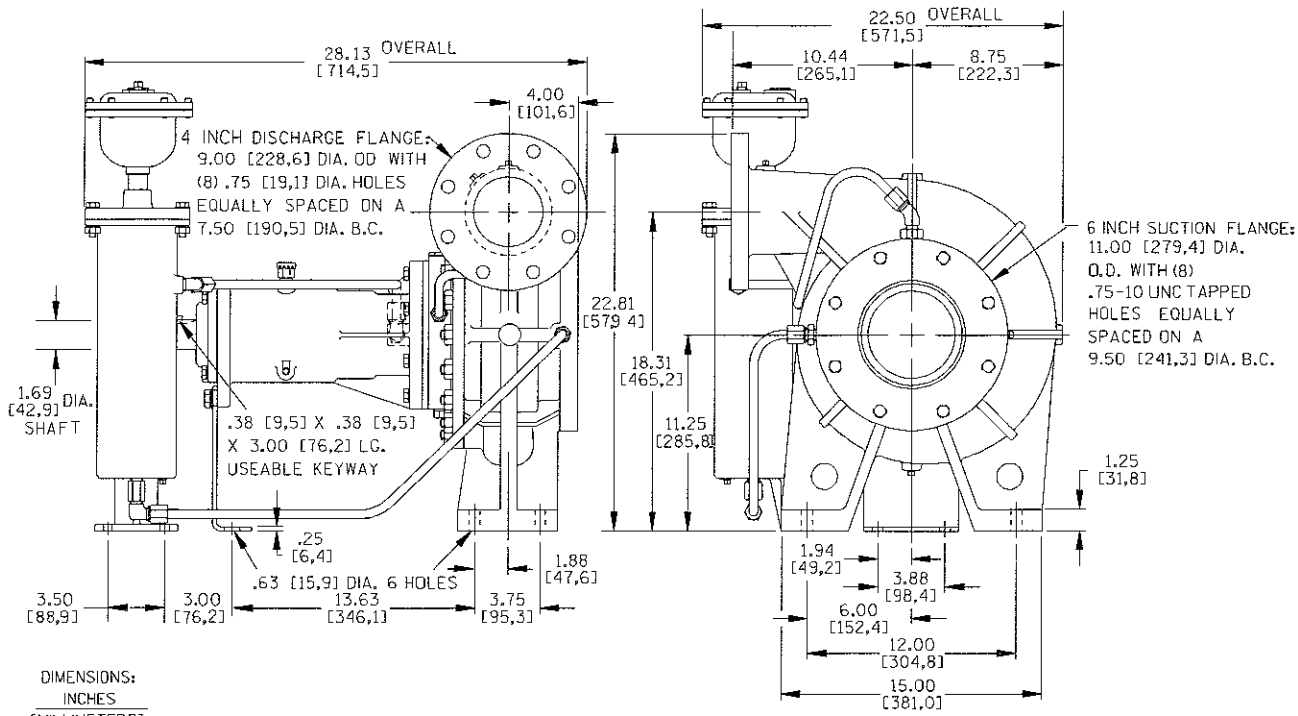
OVERALL DIMENSIONS  
and  
APPROXIMATE WEIGHTS

**RD4A31-BAR**

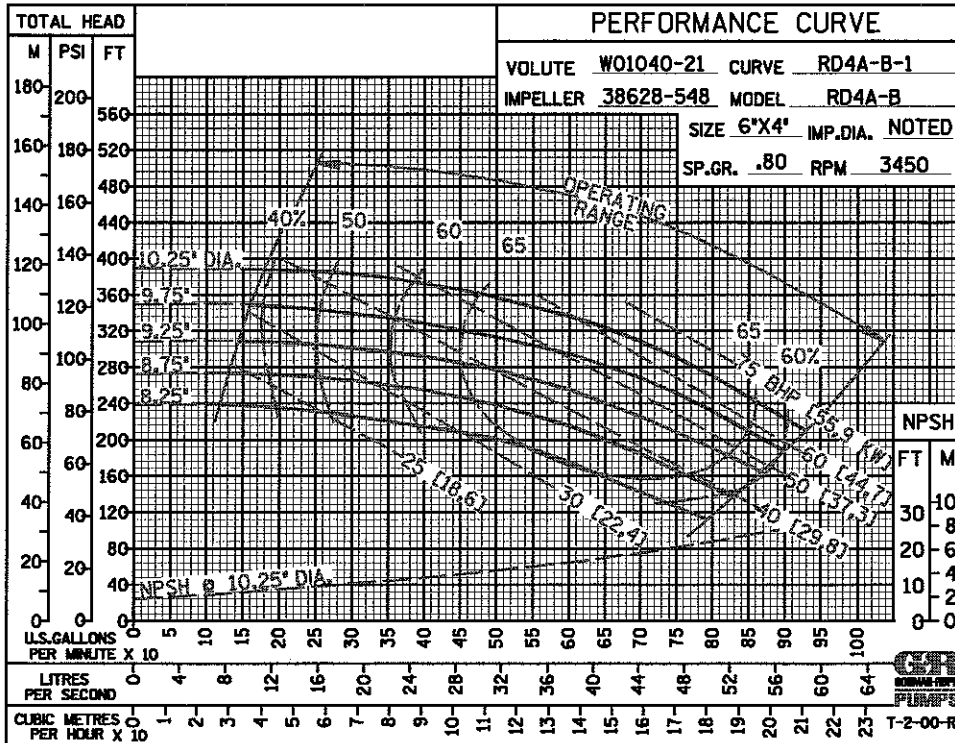
**RD4A32-BAR**

SECTION 35, PAGE 510

**PUMP NET WEIGHT:** 367 LBS. (1665 KG.) 375 LBS. (170,1 KG.)  
**SHIPPING NET WEIGHT:** 382 LBS. (173,3 KG.) 395 LBS. (179,2 KG.)  
**EXPORT CRATE SIZE:** 18 CU. FT. (0,51 CU. M.)



NOTE: OPTIONAL 4 INCH DISCHARGE CHECK VALVE REQUIRED FOR PRIMING.



THE GORMAN-RUPP COMPANY • MANSFIELD, OHIO

GORMAN-RUPP OF CANADA LIMITED • ST. THOMAS, ONTARIO, CANADA

Specifications Subject to Change Without Notice

Printed in U.S.A.