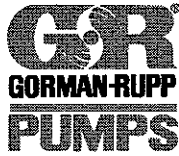


B

Basic Pump



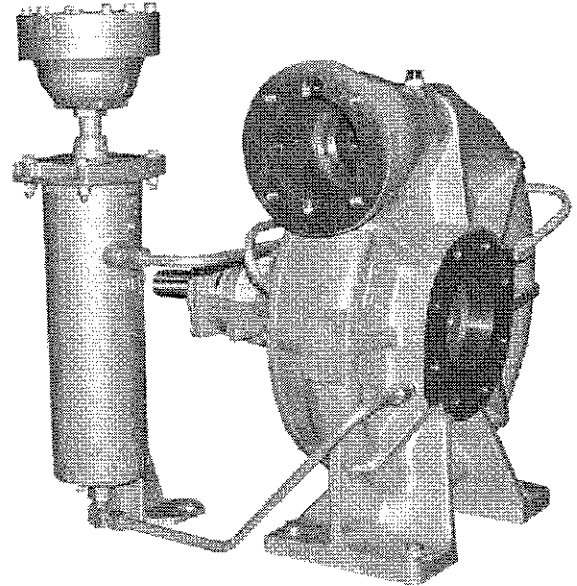
Self Priming Centrifugal Pump

Model RS3A31 – BAR and RS3A32 – BAR

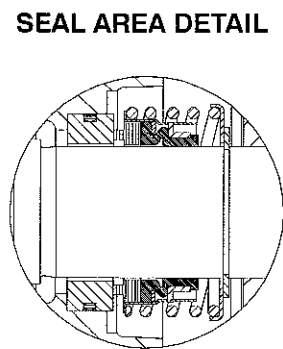
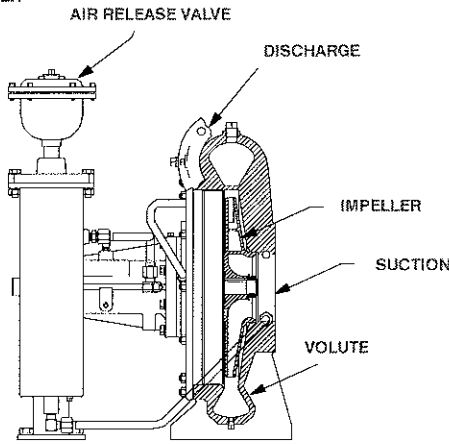
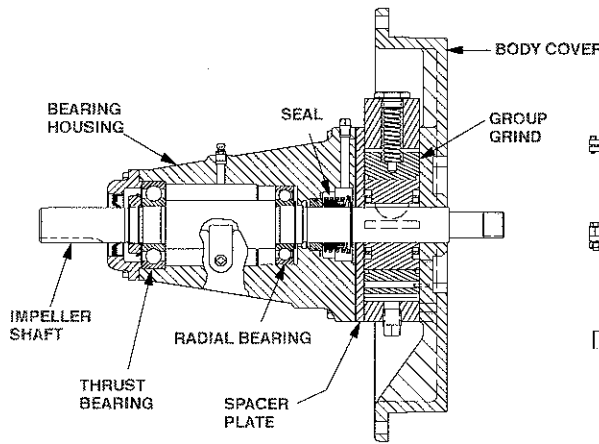
Size 4" x 3"

PUMP SPECIFICATIONS

Size: 4" x 3" (102 mm x 76 mm) Flanged.
 Casing: (RS3A31-BAR) Ductile Iron No. 65-45-12.
 (RS3A32-BAR) Cast Steel 70-36.
 Maximum Operating Pressure 71 PSI (490 kPa).*
 Enclosed Type, Five Vane Impeller: Aluminum 356-T6.
 Handles 3/8" (9,5 mm) Diameter Spherical Solids.
 Impeller Shaft: Steel No. 1045.
 Rotor: Copper Alloy C93400.
 Bearing Housing: Ductile Iron No. 65-45-12.
 Bearing Housing Lubrication: Grease.
 Body Cover: (RS3A31-BAR) Ductile Iron No. 65-45-12 .
 (RS3A32-BAR) Cast Steel 70-36.
 Center/Spacer Plate: (RS3A31-BAR) Ductile Iron No. 65-45-12.
 (RS3A32-BAR) Cast Steel 70-36.
 Radial Bearing: Permanently Sealed Single Row Ball Type.
 Thrust Bearing: Permanently Sealed Single Row Ball Type.
 Gaskets: Vegetable Fiber, PTFE and Cork.
 Priming: Rotary Vane Type Priming Pump.
 Air Release Valve : Cast Iron/Stainless Steel.
 Optional Equipment: Cast Steel 70-36 Threaded Suction and Discharge Companion Flange Kit, Copper Alloy C93700 Impeller, Group Grind with Cast Iron Rotor (RS3A31-BAR Only), Stainless Steel No. 416 Impeller Shaft, Buna-N Seal, PTFE Seal with Fluorocarbon O-Ring, PTFE Seal with Buna-N O-Ring, Oil Filled Bearing Housing Assembly.
 *Consult Factory for Applications Exceeding Maximum Pressure and/or Temperature Indicated.



CAUTION
 This Is Not A Water Pump. Use For Petroleum Products Only.



SEAL SPECIFICATIONS

Seal: Mechanical; Self-Lubricated. Fluorocarbon Elastomers (DuPont Viton® or Equivalent). Carbon Rotating Face; Ni-Resist Stationary Face; Maximum Temperature of Liquid Pumped is 160°F (71 °C).*



COURTESY OF
MASCOTT EQUIPMENT COMPANY
 Portland Seattle Tri-Cities
www.mascottec.com

Printed in U.S.A.

