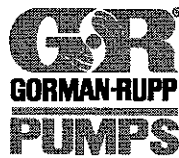


B

Basic Pump



Self Priming Centrifugal Pump

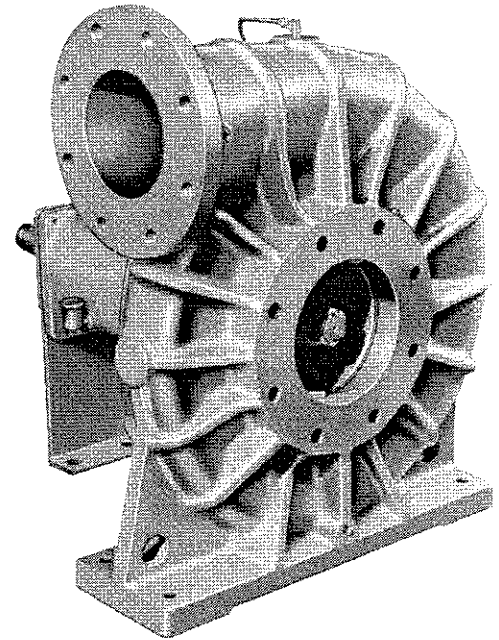
Model RS5A31 – B and RS5A32 – B

Size 6" x 5"

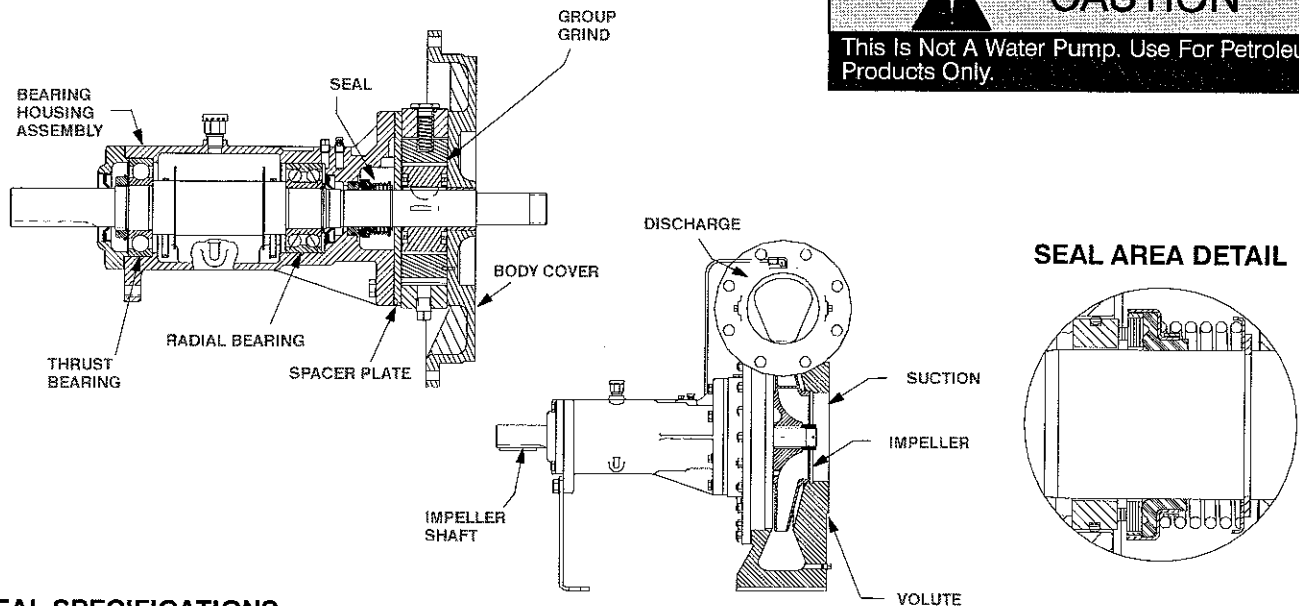
PUMP SPECIFICATIONS

Size: 6" x 5" (152 mm x 127 mm) Flanged.
 Casing: (RS5A31-B) Ductile Iron No. 65-45-12.
 (RS5A32-B) Cast Steel 70-36.
 Maximum Operating Pressure 71 PSI (490 kPa).
 Enclosed Type, Five Vane Impeller: Aluminum 356-T6.
 Handles 1/2" (12,7 mm) Diameter Spherical Solids.
 Impeller Shaft: Steel No. 1045.
 Rotor: Copper Alloy C93400.
 Bearing Housing: Ductile Iron No. 65-45-12.
 Body Cover: (RS5A31-B) Ductile Iron No. 65-45-12.
 (RS5A32-B) Cast Steel 70-36.
 Center/Spacer Plate: (RS5A31-B) Ductile Iron No. 65-45-12.
 (RS5A32-B) Cast Steel 70-36.
 Radial Bearing: Open Double Row Ball Type.
 Thrust Bearing: Open Single Row Ball Type.
 Bearing Lubrication: SAE No. 30 Non-Detergent Oil.
 Gaskets: Vegetable Fiber, PTFE and Cork.
 Priming: Rotary Vane Type with Built-in Spring-Loaded Priming Assist Valve.
 Optional Equipment: Standard 5" Discharge Check Valve (Required for Priming), Stainless Steel No. 416 Impeller Shaft, PTFE Seal with Fluorocarbon O-Ring, PTFE Seal with Buna-N O-Ring.

*Consult Factory for Applications Exceeding Maximum Pressure and/or Temperature Indicated.



CAUTION
 This Is Not A Water Pump. Use For Petroleum Products Only.



SEAL SPECIFICATIONS

Seal: Mechanical; Self-Lubricated. Fluorocarbon Elastomers (DuPont Viton® or Equivalent). Carbon Rotating Face; Ni-Resist Stationary Face; Maximum Temperature of Liquid Pumped is 160°F (71°C).*



COURTESY OF
MASCOTT EQUIPMENT COMPANY
 Portland Seattle Tri-Cities
www.mascottec.com

Printed in U.S.A.

Specification Data

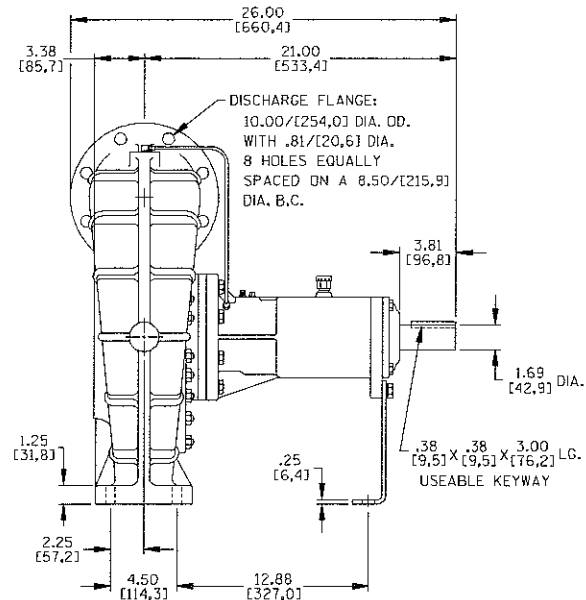
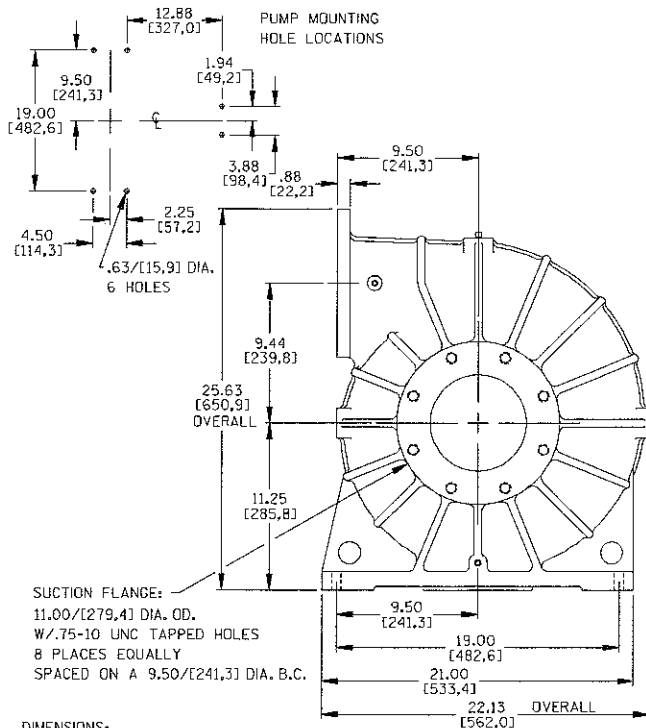
OVERALL DIMENSIONS
and
APPROXIMATE WEIGHTS

RS5A31-B

RS5A32-B

SECTION 35, PAGE 600

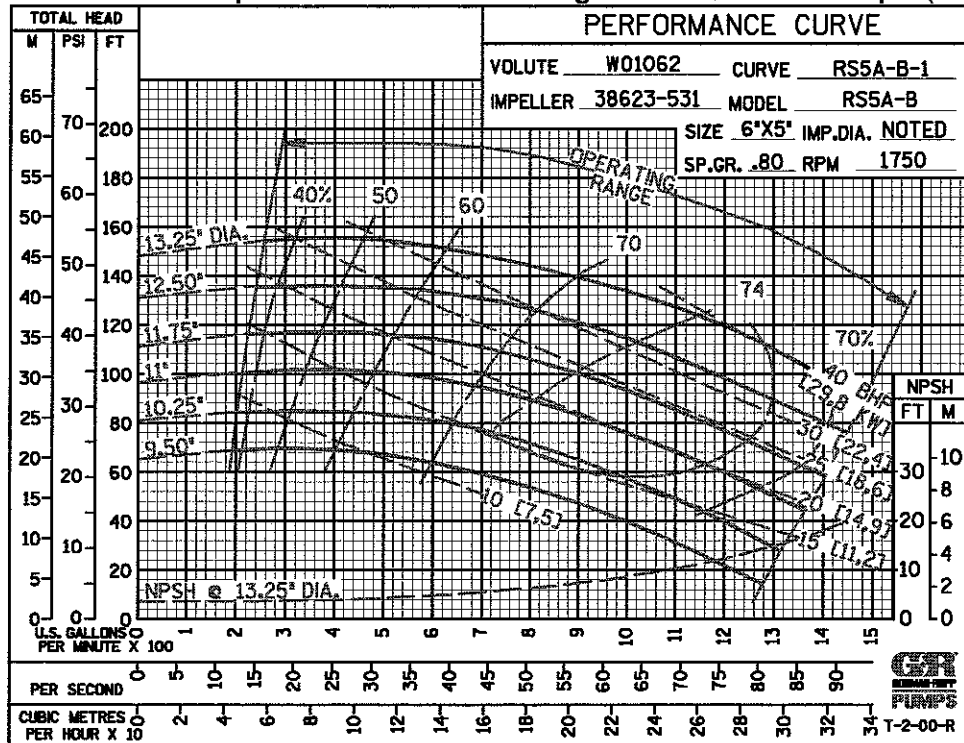
PUMP NET WEIGHT: 353 LBS. (160,1 KG.) 400 LBS. (181,4 KG.)
SHIPPING NET WEIGHT: 402 LBS. (182,3 KG.) 456 LBS. (206,8 KG.)
EXPORT CRATE SIZE: 22.3 CU. FT. (0,63) CU. M.)



DIMENSIONS:
 INCHES
 (MILLIMETERS)

NOTE: OPTIONAL 5 INCH DISCHARGE CHECK VALVE REQUIRED FOR PRIMING.

Air Release Valve Required When Static Discharge Pressure Exceeds 8 psi (55 kPa).



THE GORMAN-RUPP COMPANY • MANSFIELD, OHIO

GORMAN-RUPP OF CANADA LIMITED • ST. THOMAS, ONTARIO, CANADA

Specifications Subject to Change Without Notice

Printed in U.S.A.