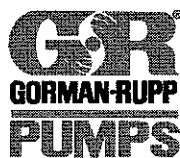


B

Basic Pump



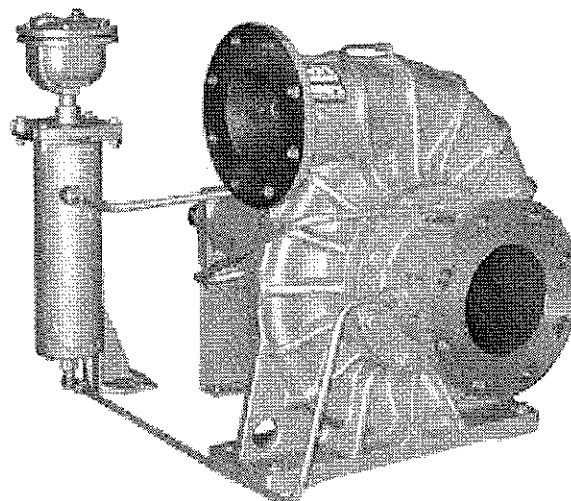
# Self Priming Centrifugal Pump

## Model RS5A31 – BAR and RS5A32 – BAR

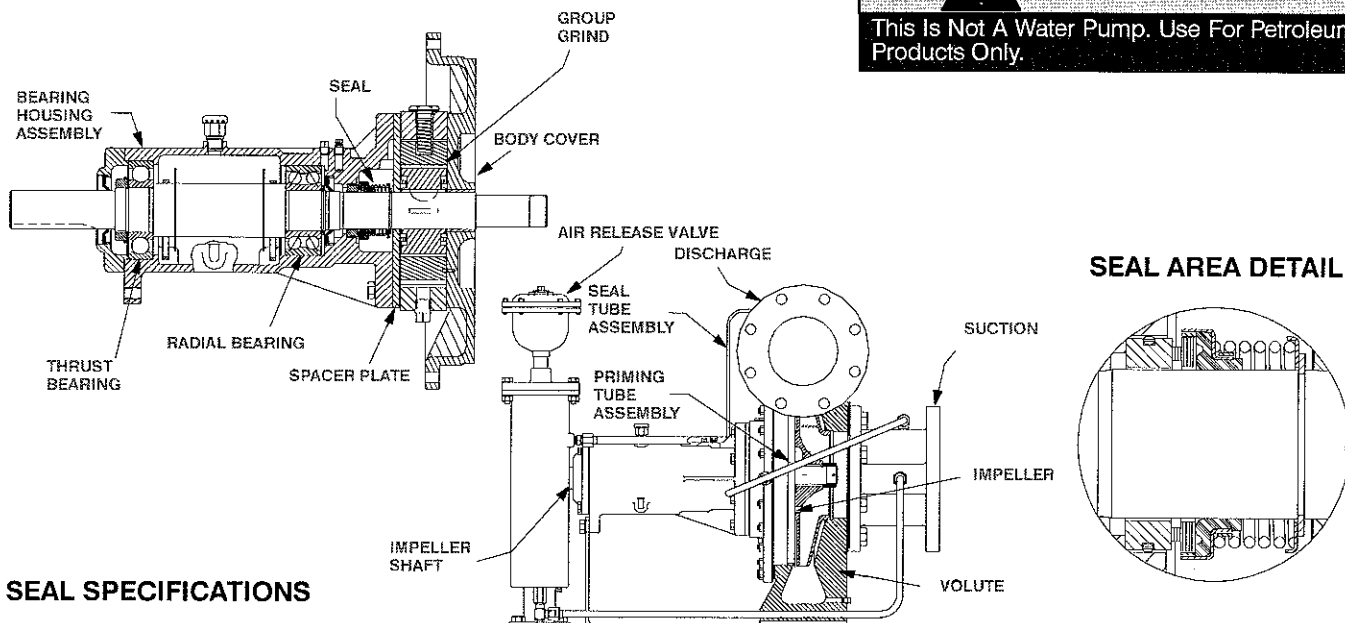
### Size 6" x 5"

**PUMP SPECIFICATIONS**

Size: 6" x 5" (152 mm x 127 mm) Flanged.  
 Casing: (RS5A31-BAR) Ductile Iron No. 65-45-12.  
 (RS5A32-BAR) Cast Steel 70-36.  
 Maximum Operating Pressure 71 PSI (490 kPa).  
 Enclosed Type, Five Vane Impeller: Aluminum 356-T6.  
 Handles 1/2" (12,7 mm) Diameter Spherical Solids.  
 Impeller Shaft: Steel No. 1045.  
 Rotor: Copper Alloy C93400.  
 Bearing Housing: Ductile Iron No. 65-45-12.  
 Body Cover: (RS5A31-BAR) Ductile Iron No. 65-45-12.  
 (RS5A32-BAR) Cast Steel 70-36.  
 Center/Spacer Plate: (RS5A31-BAR) Ductile Iron No. 65-45-12.  
 (RS5A32-BAR) Cast Steel 70-36.  
 Suction Spool Flange: Cast Steel 70-36.  
 Radial Bearing: Open Double Row Ball Type.  
 Thrust Bearing: Open Single Row Ball Type.  
 Bearing Lubrication: SAE No. 30 Non-Detergent Oil.  
 Gaskets: Vegetable Fiber, PTFE and Cork.  
 Priming: Rotary Vane Type Priming Pump.  
 Air Release Valve : Cast Iron/Stainless Steel.  
 Optional Equipment: Standard 5" Discharge Check Valve (Required for Priming), Stainless Steel No. 416 Impeller Shaft, PTFE Seal with Fluorocarbon O-Ring, PTFE Seal with Buna-N O-Ring.  
 \*Consult Factory for Applications Exceeding Maximum Pressure and/or Temperature Indicated.



**CAUTION**  
 This Is Not A Water Pump. Use For Petroleum Products Only.



**SEAL SPECIFICATIONS**

Seal: Mechanical; Self-Lubricated. Fluorocarbon Elastomers (DuPont Viton<sup>®</sup> or Equivalent). Carbon Rotating Face; Ni-Resist Stationary Face; Maximum Temperature of Liquid Pumped is 160°F (71°C).\*



COURTESY OF  
**MASCOTT EQUIPMENT COMPANY**  
 Portland Seattle Tri-Cities  
[www.mascottec.com](http://www.mascottec.com)

Printed in U.S.A.

