

A B C E



Standard Centrifugal Pump

Basic Pedestal

Model VGH2 1/2D31 - B

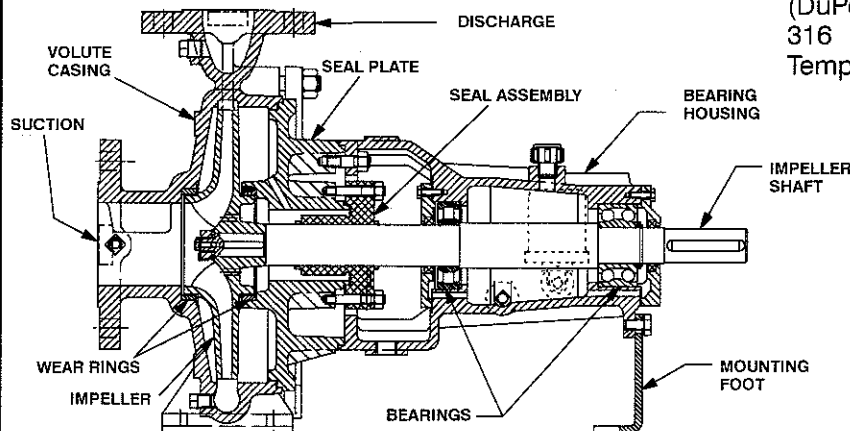
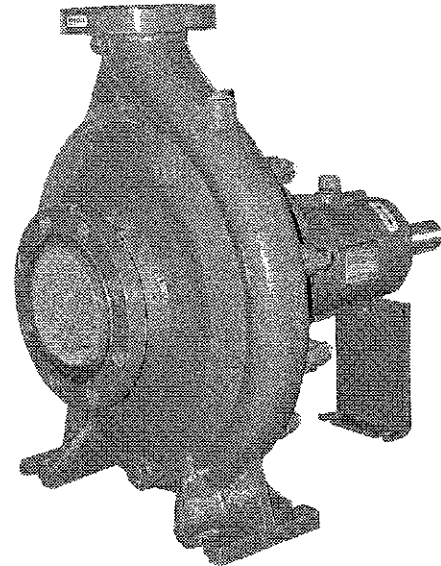
Size 4" x 2 1/2"

PUMP SPECIFICATIONS

Size: 4" x 2 1/2" (102 mm x 64 mm) Raised Face Flanges.
Casing: Ductile Iron. Maximum Operating Pressure 114 psi (8,0 kg/cm²).*
Closed Type, Five Vane Impeller: Gray Iron No. 40. Handles 11/32" (9 mm) Diameter Spherical Solids.
Impeller Shaft: Steel No. 1045.
Bearing Housing: Gray Iron No. 25.
Replaceable Wear Rings: Gray Iron No. 25.
Seal Plate: Gray Iron No. 25.
Mounting Foot: Structural Steel Plate, Grade C.
Radial Bearing: Open Cylindrical Roller.
Thrust Bearing: Open Double Ball.
Bearing Lubrication: Oil.
Gaskets: Nitrile Rubber.
Hardware: Standard Plated Steel.

Standard Equipment: Bearing Housing Constant Level Oiler.

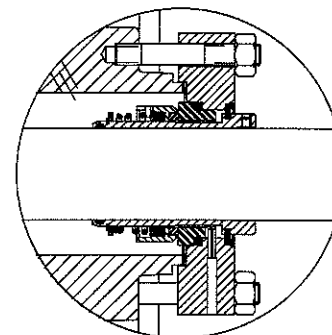
Optional Equipment: 4" NPT Suction Flange; 2 1/2" NPT Discharge Flange; Strainer; Bronze Impeller; Discharge Check Valve.



Seal Specifications

Cartridge Type, Mechanical, Self-Lubricated. Tungsten Carbide Rotating Face. Silicone Carbide Stationary Seat. Fluorocarbon Elastomers (DuPont Viton® or Equivalent). Stainless Steel No. 316 Shaft Sleeve and Spring. Maximum Temperature of Liquid Pumped, 160°F (71°C).*

SEAL DETAIL



*Consult Factory for Applications Exceeding Maximum Pressure and/or Temperature Indicated.



COURTESY OF
MASCOTT EQUIPMENT COMPANY
 Portland Seattle Tri-Cities
www.mascottec.com

Specification Data

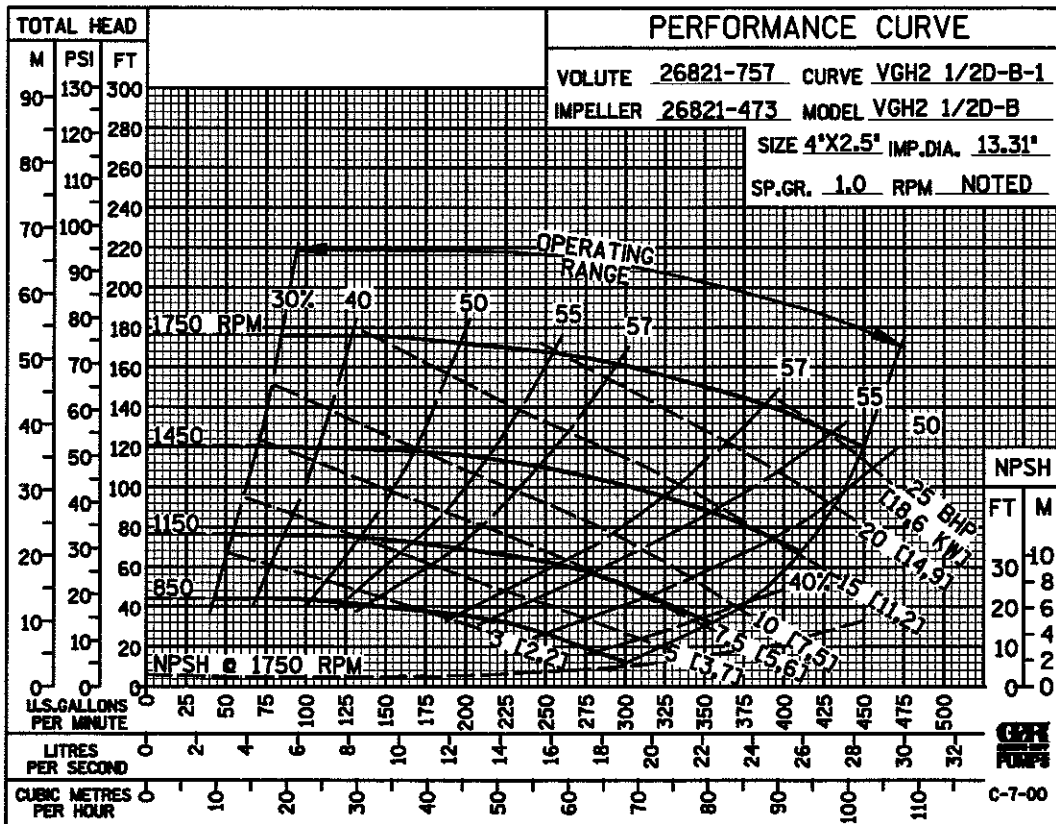
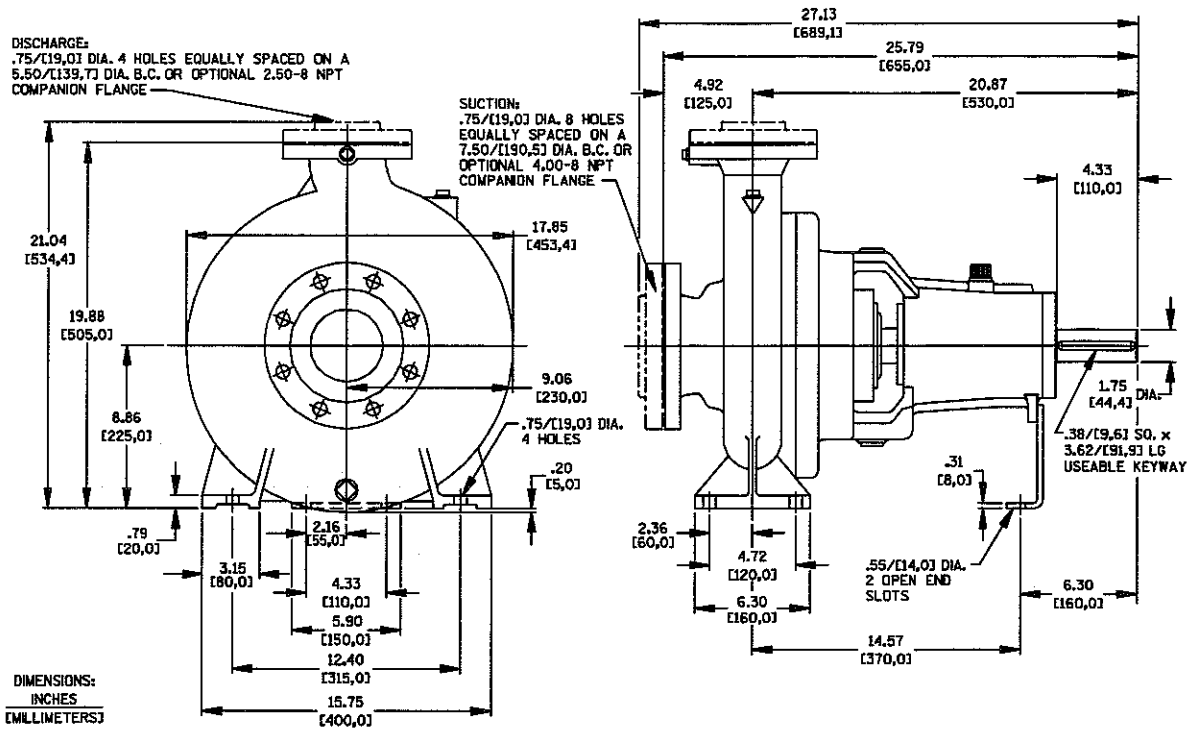
SECTION 70, PAGE 276

APPROXIMATE
DIMENSIONS and WEIGHTS

NET WEIGHT: 279 LBS. (127 KGS.)

SHIPPING WEIGHT: 289 LBS. (131 KGS.)

EXPORT CRATE: 13.2 CU. FT. (0,4 CU. M.)



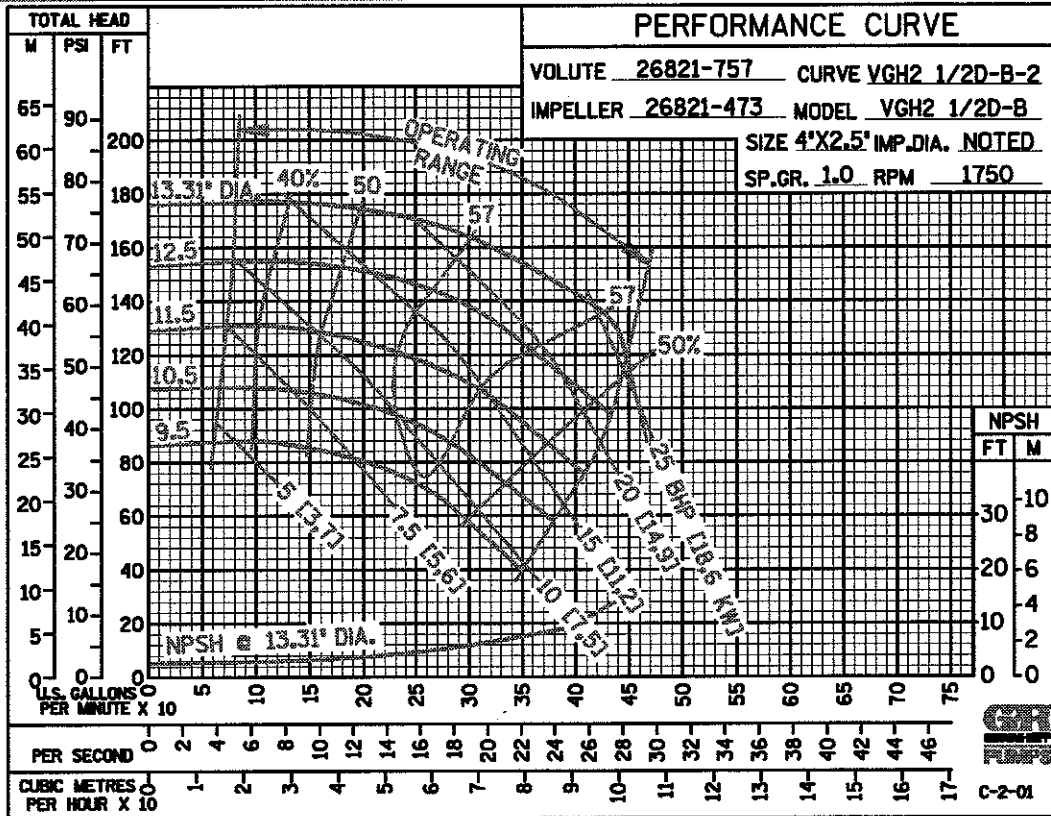
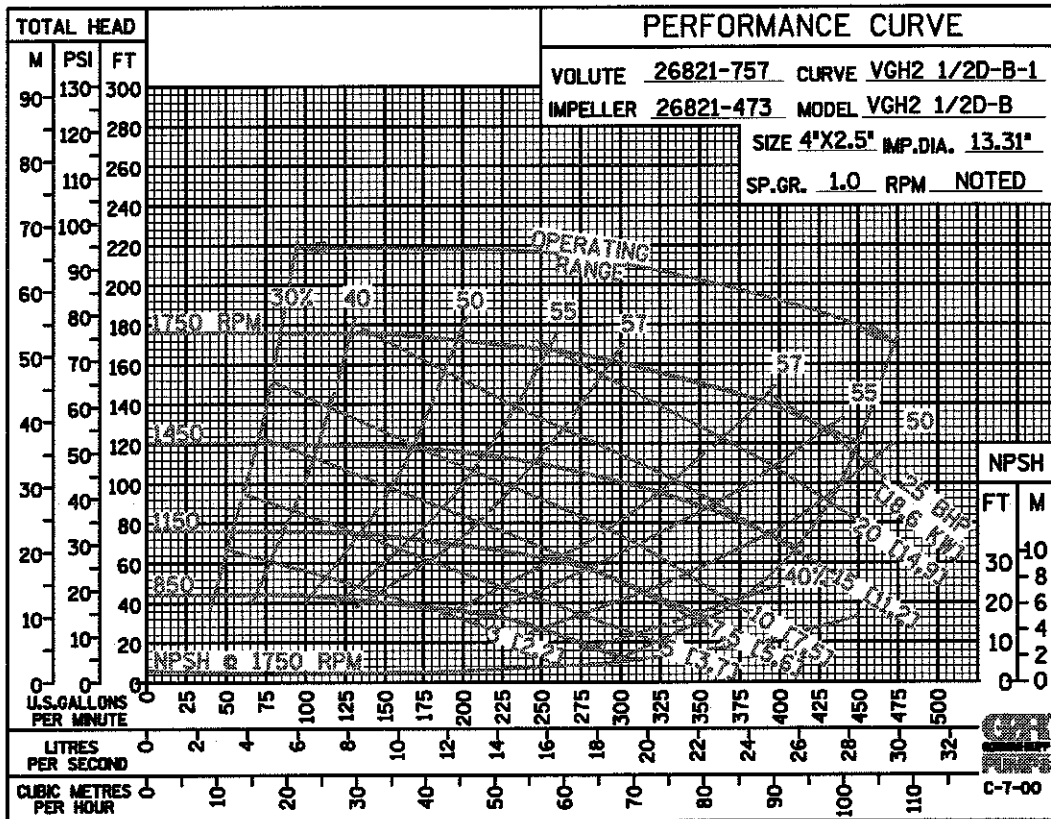
THE GORMAN-RUPP COMPANY • MANSFIELD, OHIO

GORMAN-RUPP OF CANADA LIMITED • ST. THOMAS, ONTARIO, CANADA

Specifications Subject to Change Without Notice

Printed in U.S.A.

ABCE



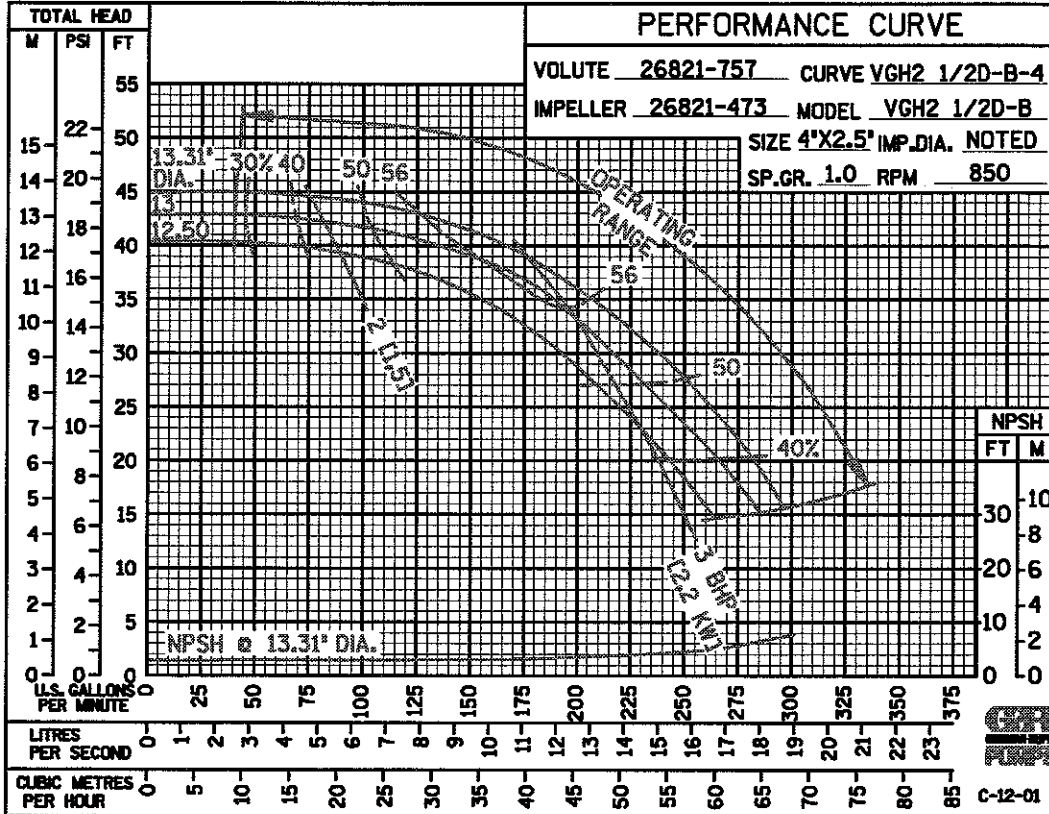
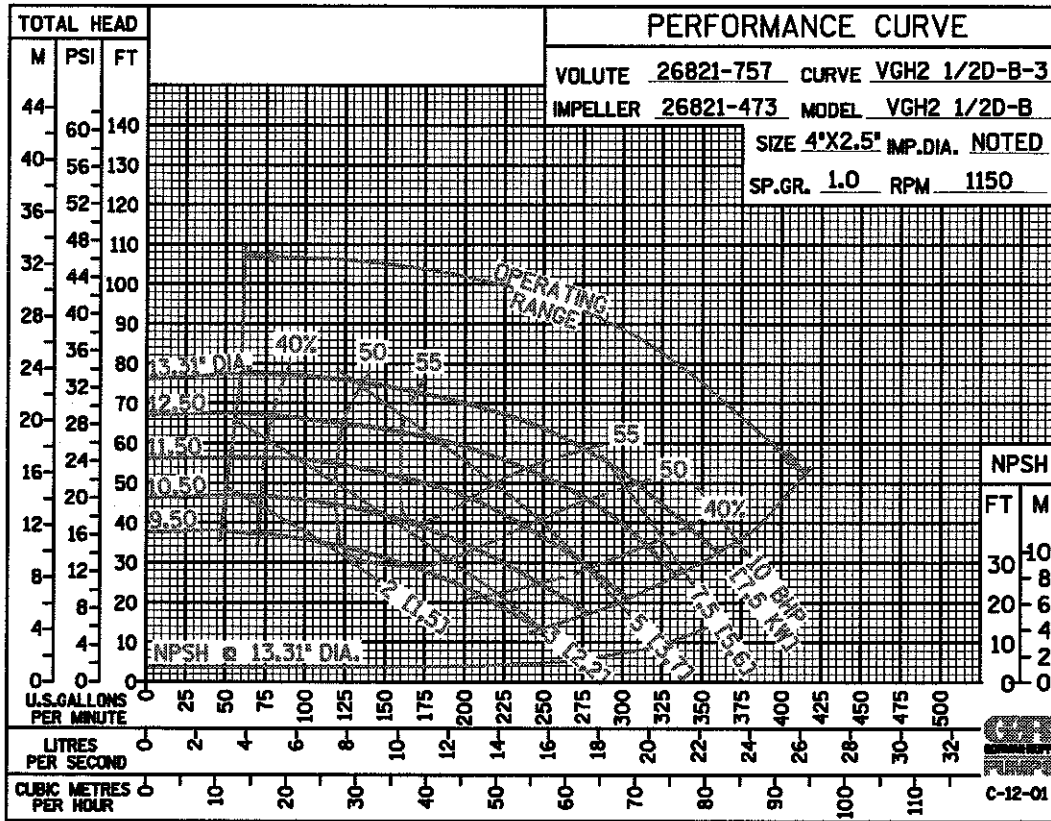
THE GORMAN-RUPP COMPANY • MANSFIELD, OHIO

GORMAN-RUPP OF CANADA LIMITED • ST. THOMAS, ONTARIO, CANADA

Specifications Subject to Change Without Notice

Printed in U.S.A.

ABCE



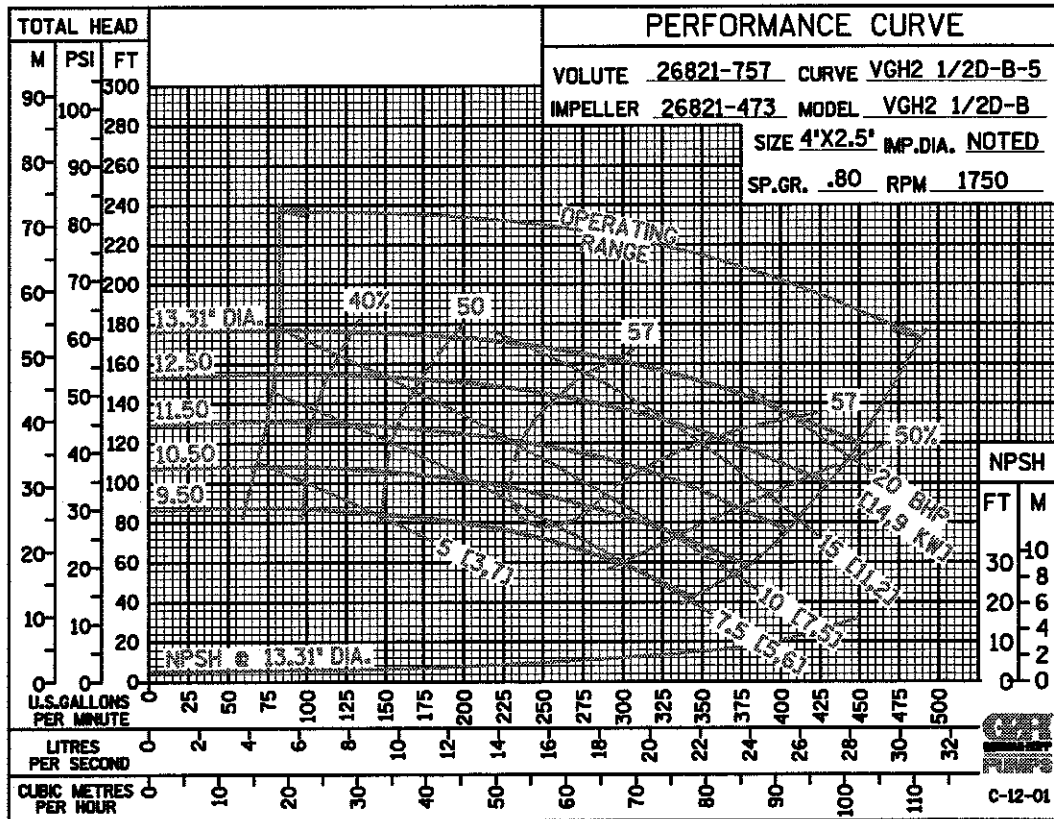
THE GORMAN-RUPP COMPANY • MANSFIELD, OHIO

GORMAN-RUPP OF CANADA LIMITED • ST. THOMAS, ONTARIO, CANADA

Specifications Subject to Change Without Notice

Printed in U.S.A.

A B C E



THE GORMAN-RUPP COMPANY • MANSFIELD, OHIO

GORMAN-RUPP OF CANADA LIMITED • ST. THOMAS, ONTARIO, CANADA

Specifications Subject to Change Without Notice

Printed in U.S.A.