

ABCE



# Standard Centrifugal Pump

## Model VGH6E31-B

### Size 8" x 6"

#### PUMP SPECIFICATIONS

**Size:** 8" x 6" (203 mm x 152 mm) Raised Face Flanges.

**Casing:** Ductile Iron.

Maximum Operating Pressure 263 psi (1813 kPa).\*

**Enclosed Type, Six Vane Impeller:** Gray Iron 40.

Handles 1" (25,4 mm) Diameter Spherical Solids.

**Impeller Shaft:** Carbon Steel 1045.

**Bearing Housing:** Gray Iron 25.

**Two Replaceable Wear Rings:** Gray Iron 25.

**Seal Plate:** Gray Iron 25.

**Radial Bearing:** Open Cylindrical Roller.

**Thrust Bearing:** Open Double Row Ball.

**Bearing Lubrication:** SAE 30 Non-Detergent Oil.

**Gaskets:** Nitrile Rubber.

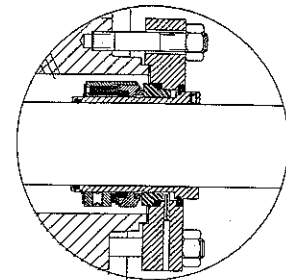
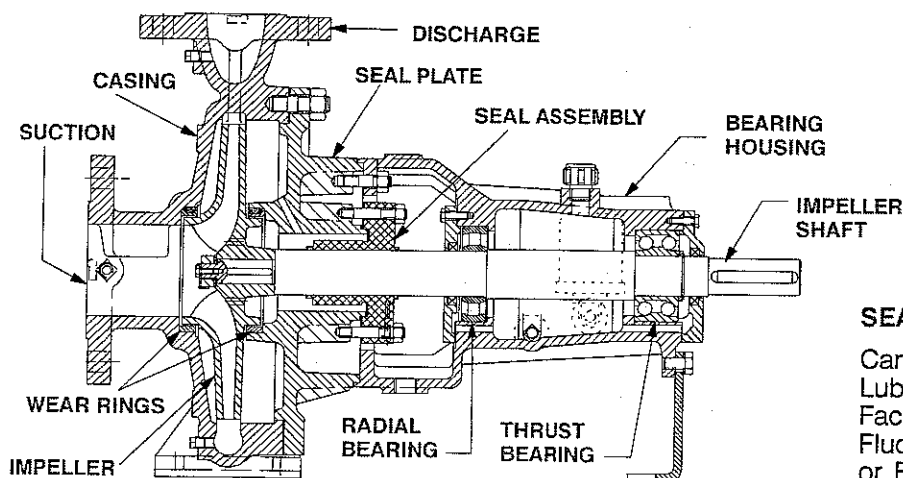
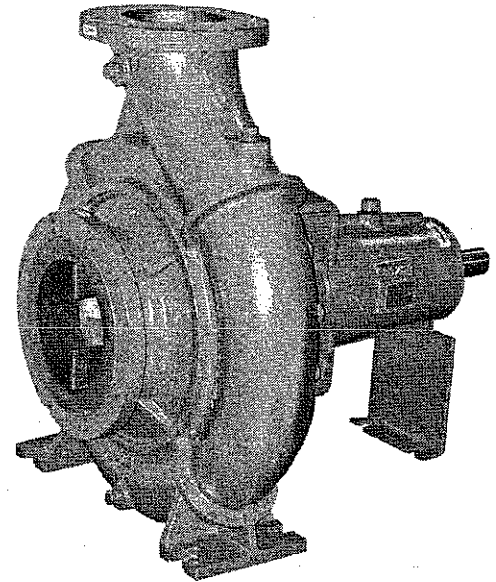
**Hardware:** Standard Plated Steel.

**Standard Equipment:** Bearing Housing Oiler.

**Optional Equipment:** 8" NPT Suction Flange.

6" NPT Discharge Flange. Strainer. Discharge Check Valve.

\*Consult Factory for Applications Exceeding Maximum Pressure and/or Temperature Indicated.



#### SEAL DETAIL

Cartridge Type, Mechanical, Self-Lubricated. Tungsten Carbide Rotating Face. Silicon Carbide Stationary Seat. Fluorocarbon Elastomers (DuPont Viton® or Equivalent). Stainless Steel 316 Shaft Sleeve and Spring. Maximum Temperature of Liquid Pumped, 160°F (71°C).\*



COURTESY OF  
**MASCOTT EQUIPMENT COMPANY**  
 Portland Seattle Tri-Cities  
[www.mascottec.com](http://www.mascottec.com)

Printed in U.S.A.

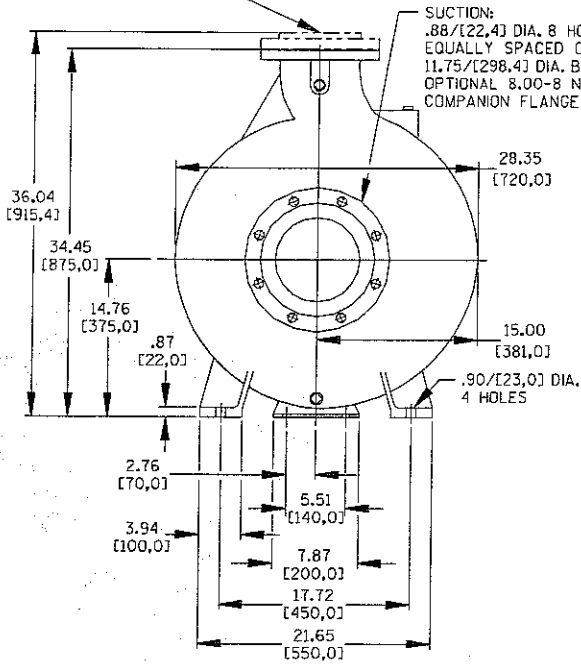
**Specification Data**

SECTION 70, PAGE 1451

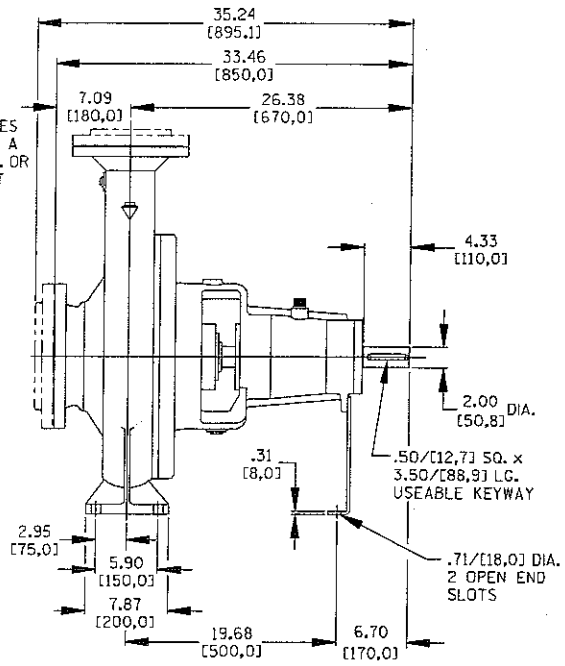
APPROXIMATE DIMENSIONS and WEIGHTS

NET WEIGHT: 749 LBS. (340 KG.)  
 SHIPPING WEIGHT: 801 LBS. (363 KG.)  
 EXPORT CRATE: 27.1 CU. FT. (0.77 CU. M.)

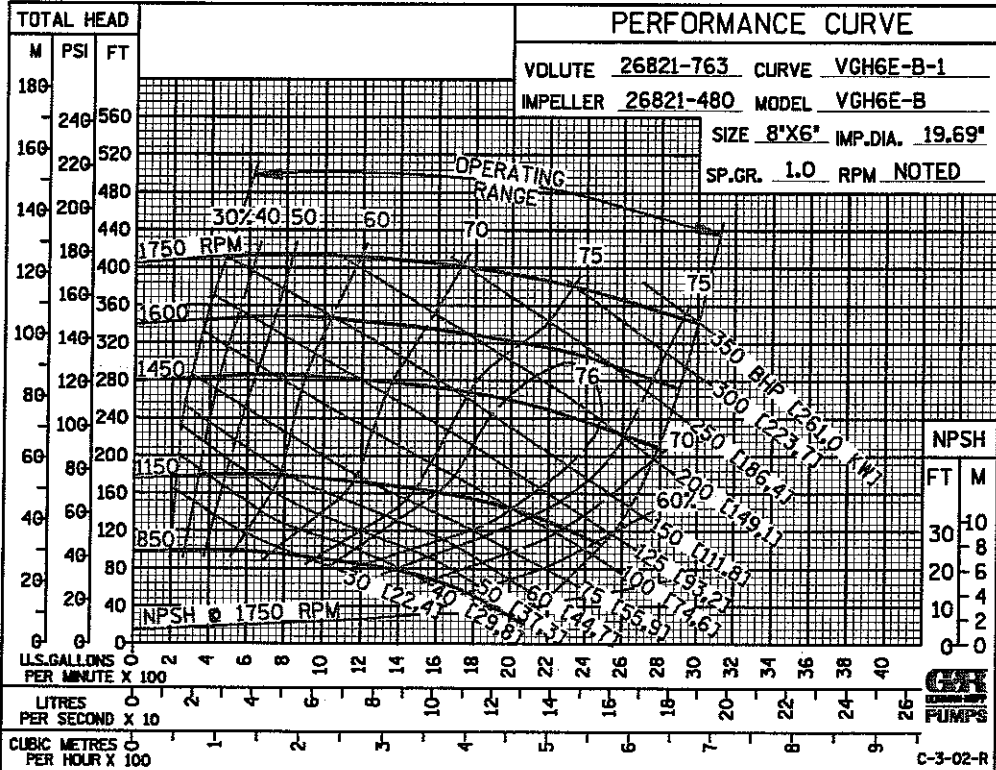
DISCHARGE:  
 .88/[22,4] DIA. 8 HOLES EQUALLY SPACED ON A  
 9.50/[241,3] DIA. B.C. OR OPTIONAL 6.00-8 NPT  
 COMPANION FLANGE



SUCTION:  
 .88/[22,4] DIA. 8 HOLES  
 EQUALLY SPACED ON A  
 11.75/[298,4] DIA. B.C. OR  
 OPTIONAL 8.00-8 NPT  
 COMPANION FLANGE



DIMENSIONS:  
 INCHES  
 [MILLIMETERS]



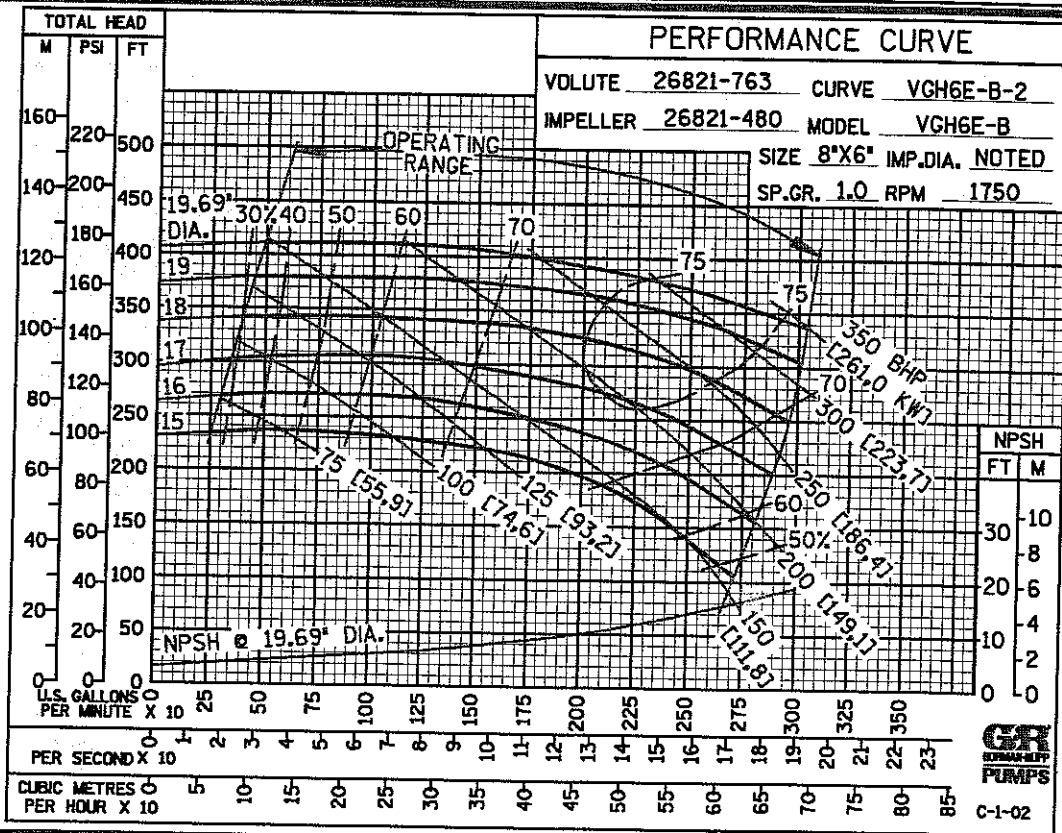
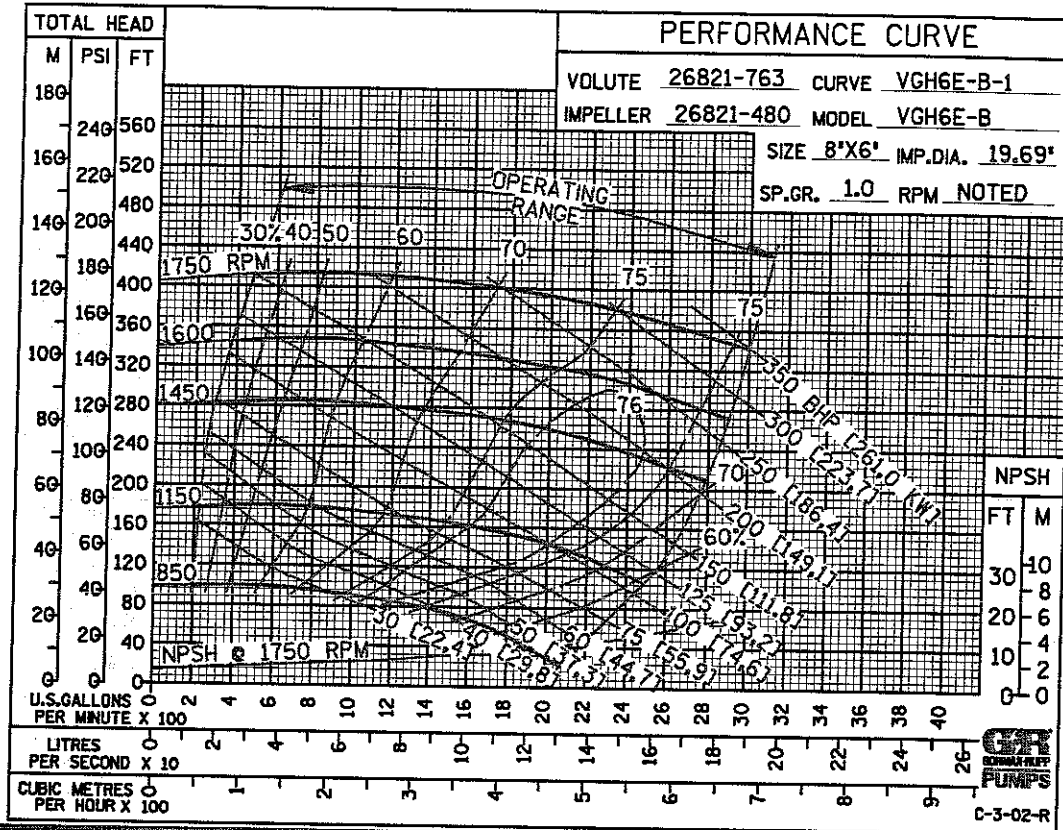
THE GORMAN-RUPP COMPANY • MANSFIELD, OHIO

GORMAN-RUPP OF CANADA LIMITED • ST. THOMAS, ONTARIO, CANADA

Specifications Subject to Change Without Notice

Printed in U.S.A.

A B C E



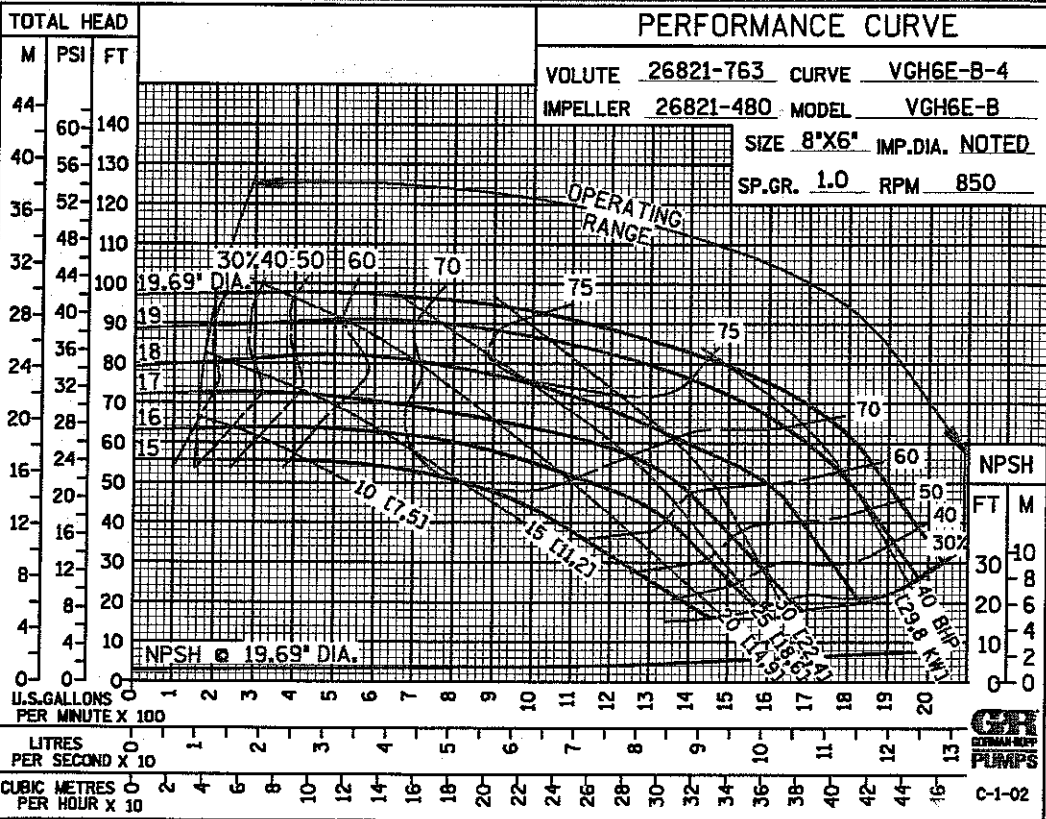
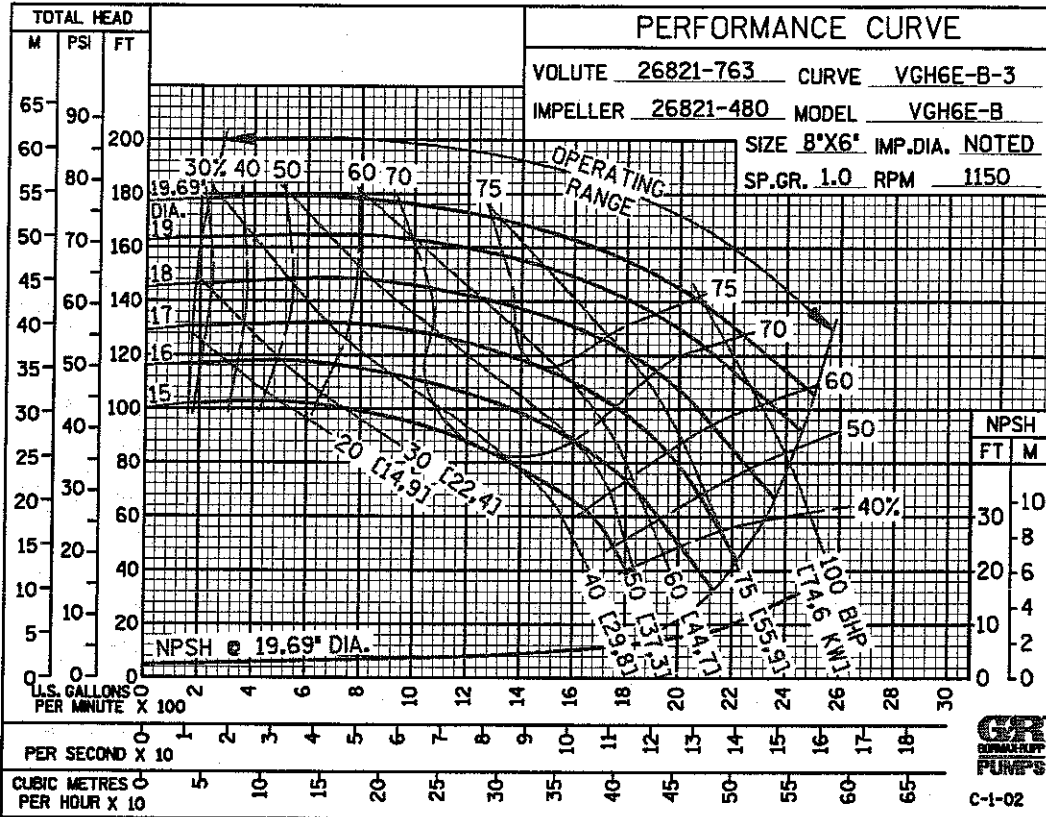
THE GORMAN-RUPP COMPANY • MANSFIELD, OHIO

GORMAN-RUPP OF CANADA LIMITED • ST. THOMAS, ONTARIO, CANADA

Specifications Subject to Change Without Notice

Printed in U.S.A.

A B C E



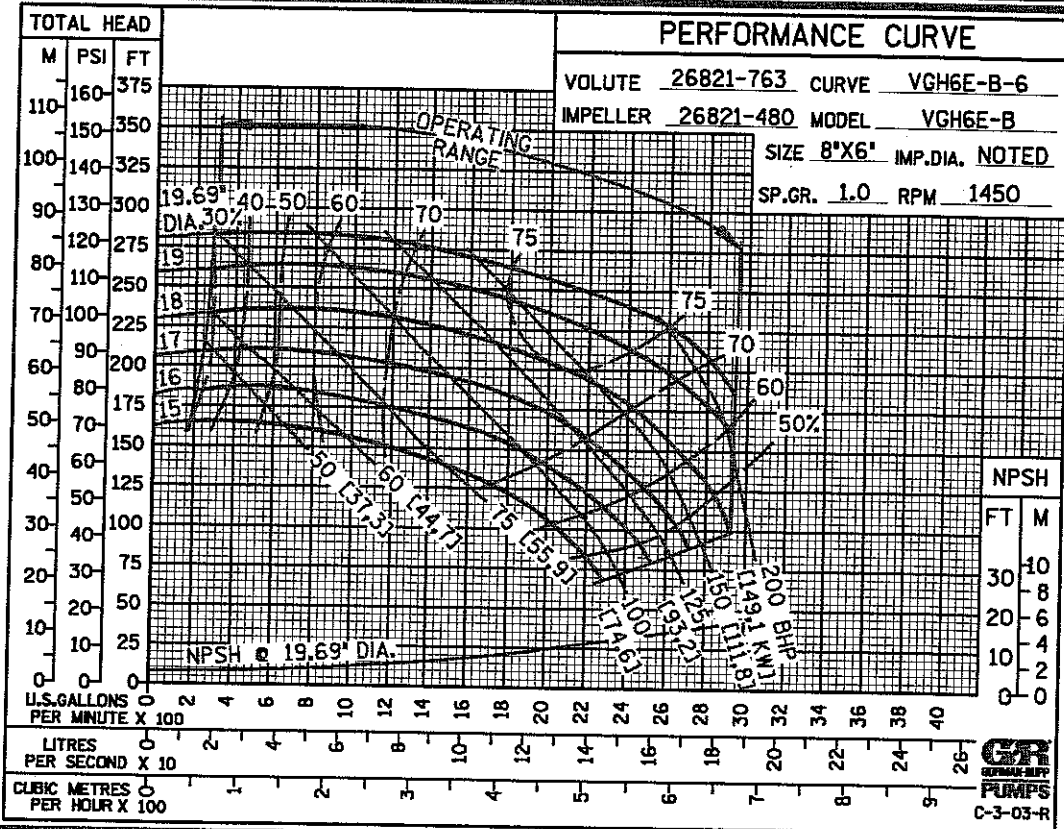
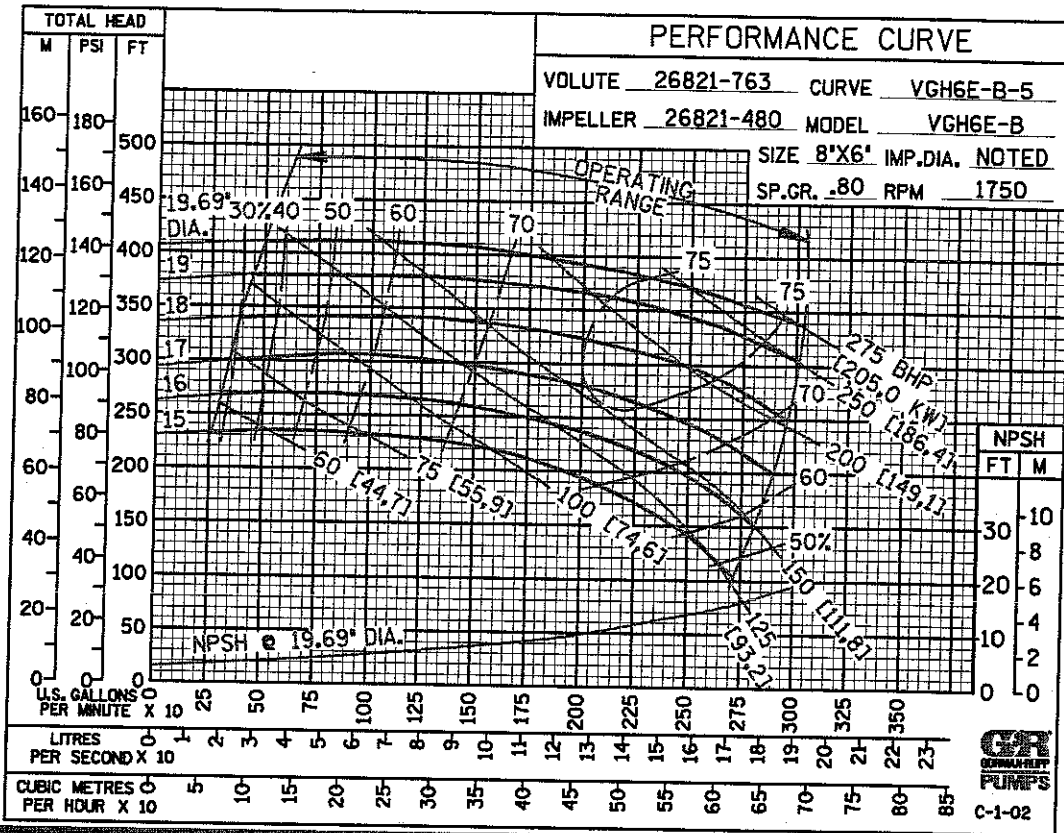
THE GORMAN-RUPP COMPANY • MANSFIELD, OHIO

GORMAN-RUPP OF CANADA LIMITED • ST. THOMAS, ONTARIO, CANADA

Specifications Subject to Change Without Notice

Printed in U.S.A.

A B C E



THE GORMAN-RUPP COMPANY • MANSFIELD, OHIO  
 GORMAN-RUPP OF CANADA LIMITED • ST. THOMAS, ONTARIO, CANADA

Specifications Subject to Change Without Notice

Printed in U.S.A.