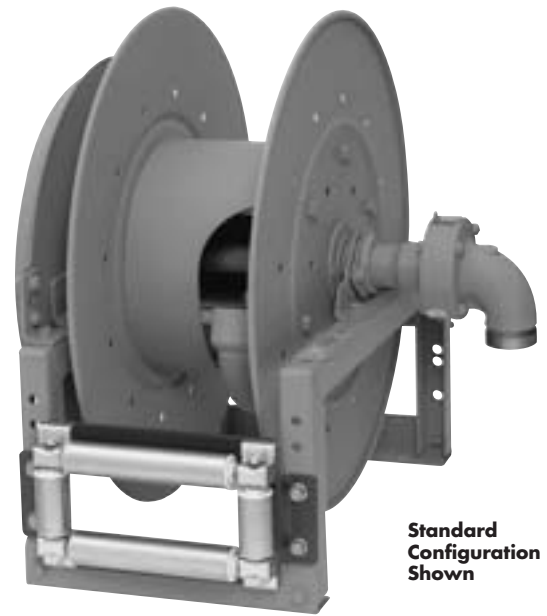


900

SPRING REWIND REELS

To handle 1-1/4" or 1-1/2" I.D. hose.

- Rollformed channel frame construction.
- Non sparking ratchet assembly.
- Declutching arbor to prevent damage from reverse winding.
- Standard inlet 90° swivel joint 1-1/2" female NPT threads and 2" victaulic groove.
- Standard outlet 1-1/2" female NPT threads.
- Pressures to 600 psi (41 bar)
- Temperatures from -40° F to +175° F (-40° C to +79° C).
- Consult factory for other pressures & temps.
- 4-way roller assembly.
- Constant Tension is available – consult factory.



Standard Configuration Shown

For:

- Bulk Transfer
- Fuel Dispensing (Consult Factory)
- Suction/Discharge (Consult Factory)

Parts Drawing – ISO 29

Model Number	Hose Capacity of Reel			Weight		Standard Roller Assy	Reel Dimensions***									
	feet			lb.	kg.		inches									
	m.						NET	SHIP	A	B	D	E	F	G	H	X
	I.D. (in) I.D. (mm)	1-1/4" 32	1-1/2" 38													
	O.D. (in) O.D. (mm)	1-13/16" 46	2-1/16" 52													
922-23-24B		40 12	25 8	104 47	139 63	R310	15.25 387	10 254	23.25 591	25.25 641	24 610	23.88 607	12.5 318	10.5 267	20.25 514	
920-25-26A		50 15	40 12	127 58	162 73	R308	13.25 337	8 203	25 635	27 686	22.75 578	25.88 657	13.5 343	8.5 216	22 559	
922-30-31A		75 23	50 15	156 71	191 87	R310	15.25 387	10 254	28.5 724	30.5 775	24.75 629	31.38 797	17 432	10.5 267	25.5 648	

Notes:

1. Specifications subject to change.
2. Reel models and capacities shown are for standard drag applications; for vertical lift applications consult factory.
3. Other sizes, from standard components, available on request.
4. **Finish:** refer to Page 4.
5. **Be sure to check dimensions and weights prior to ordering.**

NOTICE: A Flexible Connector must be used between the inlet pipe and the inlet swivel joint.

*** x,y indicate mounting holes. See page 2

