

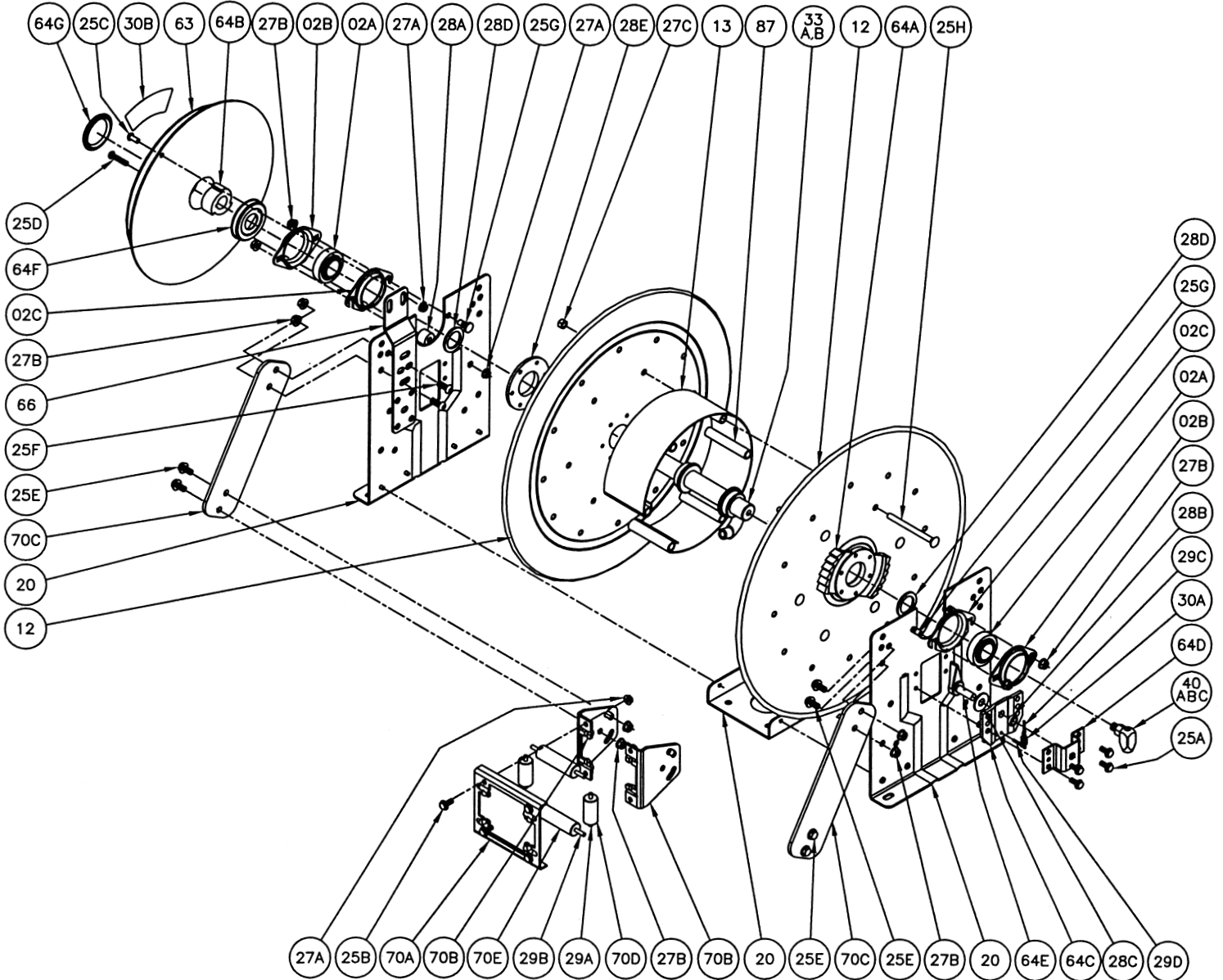


# Hannay Reels®

*The reel leader.*

Hannay Reels, Inc., 553 State Route 143  
Westerlo, NY 12193-0159  
Telephone 518-797-3791; Toll Free 1-877-GO-REELS (467-3357)  
FAX 1-800-REELING (733-5464)  
INT'L FAX (518) 797-3259  
Website: www.hannay.com  
E-mail: reels@hannay.com

## ISO 92 PARTS LIST N-500 SERIES



**PARTS LIST  
ISO 92  
N-500 SERIES**

When ordering parts

**BE SURE TO SPECIFY COMPLETE MODEL NUMBER and SERIAL NUMBER OF REEL.  
USE PART NUMBER!**

<u>Drawing No.</u>	<u>Description</u>	<u>PART NUMBER</u>	<u>Quantity</u>
02A	Self-Aligning Bearing Insert .....	9902.1500	2
02B	Self-Aligning Bearing Holder .....	9902.2800	2
02C	Self-Aligning Bearing Holder (Slotted for N Series) .....	9902.2801	2
12	16-17, 15-3/4" Dia. Disc (Specify Model & Front, Back) .....	9903.0421	2
12	19-20, 18-3/4" Dia. Disc (Specify Model & Front, Back) .....	9903.0821	2
12	23-24, 22-3/4" Dia. Disc (Specify Model & Front, Back) .....	9903.1121	2
13	Drum, 10-1/2" Dia. - Wrap Around .....(Specify Model)	9905.0138	1
13	Drum, 15-1/2" Dia. - Wrap Around .....(Specify Model)	9905.0178	1
20	Frame Assembly .....	Specify Model	1
25A	5/16"-18 x 3/4" Thread Cutting Hex Head Bolt.....	9958.0055	4
25B	5/16" x 3/4" Spinlock Bolt .....	9904.2101	4
25C	5/16"-18 x 1" Hex Socket Button Head Cap Screw.....	9904.9101	1
25D	5/16"-18 x 1-1/2" Hex Socket Button Head Cap Screw .....	9904.9104	1
25E	3/8"-16 x 3/4" Spinlock Bolt.....	9904.2201	6
25F	3/8"-16 Button Socket Head Cap Screw, 1" Long.....	9904.9202	2
25G	3/8"-16 x 7/8" Panhead Knurled Bolt.....	9904.4276	4
25H	Carriage Bolt w/Nut .....	Specify Model	as needed
27A	5/16" - 18 Spinlock Nut.....	9904.6100	4
27B	3/8" - 16 Spinlock Nut.....	9904.6200	12
27C	3/8" - 16 Hex Head Nut .....	9904.5200	6
28A	Spring Mounting Spacer.....	9922.0033	1
28B	Spacer, ratchet Pawl.....	9922.0022	1
28C	1/2" Flat Washer .....	9954.0008	1
28D	1" Hub Spacer .....	9954.0021	as needed
28E	Disc Washer .....	9965.0015	1
29A	1/4" Dia. Stainless Steel Rod, 2-3/4" Long.....	9940.0190	2
29B	1/4" Dia. Stainless Steel Rod .....	Specify Model	2
29C	1/8" x 1" Stainless Steel Cotter Pin for Pawl & Pin .....	9922.0024	1
29D	3/16" x 1" Stainless Steel Cotter Pin for N Series Ratchet .....	9922.0028	1
30A	Ratchet Locking Spring .....	9922.0008	1
30B	Spring Under Tension Caution-Decal.....	9922.0010	1
33A	1/4" Hub Assy., Welded Barstock w/ 1/4" FNPT Riser .....(Specify Model)	9901.0131	1
33B	3/8" Hub Assy. Welded Barstock w/ 3/8" FNPT Riser .....(Specify Model)	9901.0431	1
40A	1/4" 90 Degree MxF 10,000 PSI Swivel Joint .....	9925.8111	1
40B	3/8" 90 Degree MxF 3,000 PSI Swivel Joint .....	9926.8151	1
40C	3/8" 90 Degree MxF 8,000 PSI Swivel Joint .....	9926.8161	1
63	Spring Motor, C .....	9921.0018	1
63	Spring Motor, J.....(Specify Model)	9921.0030	1
64A	Ratchet Wheel.....	9922.0015	1
64B	Spring Arbor .....	9922.0002	1
64C	Ratchet Pawl Housing, Inner (N Series) .....	9922.0027	1
64D	Ratchet Pawl Housing, Outer (N Series).....	9922.0026	1
64E	Pawl & Pin .....	9922.0020	1
64F	Cap-Plug for Spring (Inner Side).....	9922.0036	1
64G	Cap-Plug for Spring (Outer Side).....	9922.0037	1
66	Spring Mounting Bracket (N Series).....	9922.0050	1
70A	Roller Bracket Frame.....	Specify Model	1
70B	N Series Roller Mounting Bracket.....	9940.0171	2
70C	N Series Roller Arm Only.....(Specify Model)	9941.0030	2
70D	1" Dia. x 2" Long Roller for Stamped Housing .....	9940.0180	2
70E	1" Dia. Roller for Stamped Housing.....	Specify Model	2
87	3/8" Spacer Pipe .....(Specify Length)	9904.3200	as needed