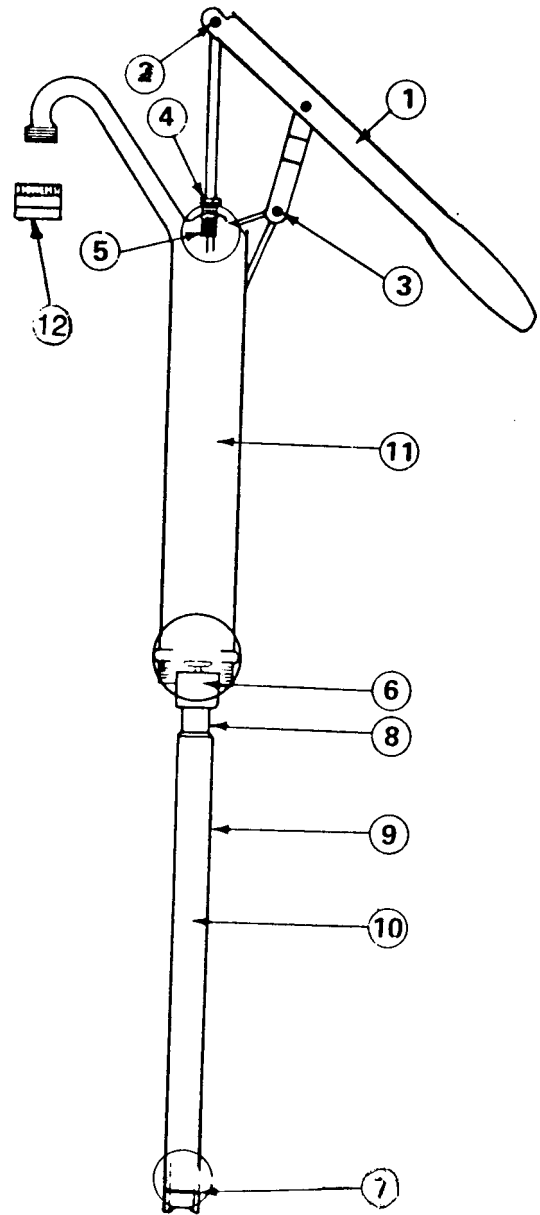


MODELS D-S AND D-S1 DRUM PUMPS

Assembly and Operating Instructions

1. Remove plunger rod pin from handle.
2. Line up holes in handle to plunger rod and insert plunger rod pin then insert cotter key.
3. Screw telescoping tube into threaded extension at base of pump. Tighten carefully with wrench.
4. Insert pumps assembly in drum bung and tighten by hand - do not use a wrench.
5. In using the pump the first time, it may be necessary to prime it by putting some of the liquid, which is to be pumped, into the nozzle.
6. It may be necessary to adjust the plunger rod packing nut (Ref. No. 4.) to prevent leakage around or relieve binding of the plunger rod. Tighten to stop leakage or loosen to prevent binding.



PARTS LIST

Ref. No.	Part No.	Description
1	120050	Lever with Linkage
2	104007	Plunger Rod Pin
3	104019	Head Rivet
4	104010	Plunger Rod Packing Nut
5	104015	Plunger Rod O-Ring
6	120056	Tube Connector & Valve
7	120057	Pump Tube O-Ring
8	120058	Telescope Tube (inner)
9	120059	Telescope Tube (Outer)
10	120060	Telescope Tube Assembly (7,8,9)
11	120061	Pump Assembly (less 1,2,3)
12	*D01	Non-Drip Attachment w/gasket

*Included on Model D-S1. Optional accessory on Model D-S.
Has standard garden hose threads.

NOTICE: This pump is made from steel, brass, nitrile synthetic rubber and should not be used with fluids affecting these materials. Pumps which have been used with corrosive materials **DO NOT** qualify for warranty adjustment.

Repair parts must be ordered by Part Number and Name.
When ordering, give the exact quantity of each part desired.

NATIONAL-SPENCER,, INC.

P. O. Box 57, Wichita, KS 67201-0057

Telephone 800-231-1525

Fax 800-637-9511

ES/rr4/00