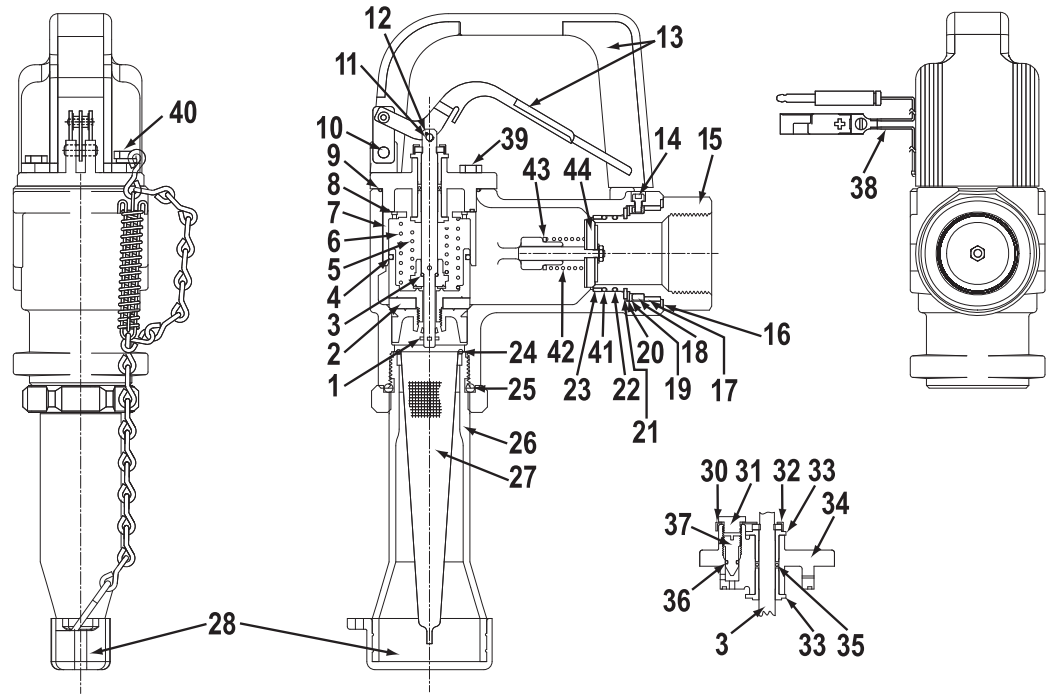


Replacement Parts - OPW 295SA/295SAC & 295SAJ



Key	Part #	Description	295SA-0135 inlet/spout 1" x 1"	295SA-0136 & 295SAC-0156 inlet/spout 1¼" x 1"	295SA-0137 & 295SAC-0157 inlet/spout 1½" x 1"	295SA-0138 & 295SAC-0158 inlet/spout 1½" x 1½"	295SAJ-0200 & 295SAC-J-0200 inlet/spout 1½" x 1½"
1	H02477M	Cotter Pin	•	•	•	•	•
2	H07719	Main Poppet S/A	•	•	•	•	•
3	H09420	Stem & Sec. Poppet				•	•
3	H09417	Stem & Sec. Poppet	•	•	•		
4	H12706M	O-Ring	•	•	•	•	•
5	H09367M	Spring	•	•	•	•	•
6	H05064M	Spring	•	•	•	•	•
7	H05088M	Skirt	•	•	•	•	•
8	H05198M	Seal	•	•	•	•	•
9	H04828M	Seal	•	•	•	•	•
10	H03981RE	Pin	•	•	•	•	•
11	H05000M	Cotter Pin	•	•	•	•	•
12	H07580M	Rivet	•	•	•	•	•
13	295KLG-0300	Lever Guard Kit*	•	•	•		
13	295KLG-0350	Lever Guard Kit*				•	
13	295KLG-0400	Lever Guard Kit*					•
14	H13774M	Screw (3 req'd)*	•	•	•	•	•
15	295SWK-0007	Swivel Repair Kit**	•				
15	295SWK-0009	Swivel Repair Kit**		•			
15	295SWK-0014	Swivel Repair Kit**				•	•
15	295SWK-0013	Swivel Repair Kit**			•		
16	H08886M	Dust Seal				•	•
16	H01227M	Dust Seal	•	•	•		
17	H08887M	Bearing				•	•
17	H08879M	Bearing	•	•	•		
18	H09713RS	Retainer				•	•
18	H09712RS	Retainer	•	•	•		

* Replacement part for nozzles built after 08/1998. Part is unavailable for nozzles built before this date.

** Includes 295SRK-0001 or 295SRK-0002 and contact ring.

Important

OPW products should be used in compliance with applicable federal, state, provincial, and local laws and regulations. Product selection should be based on physical specifications and limitations, and compatibility with the environment and materials to be handled. OPW MAKES NO WARRANTY OF FITNESS FOR A PARTICULAR USE. All illustrations and specifications in this literature are based on the latest product information available at the time of publication. OPW reserves the right to make changes at any time in prices, materials, specifications and models and to discontinue models without notice or obligation.



REPLACEMENT PARTS-OPW 295SA/SAC AND SAJ AIRCRAFT NOZZLES

Key	Part #	Description	295SA-0135 inlet/spout 1" x 1"	295SA-0136 & 295SAC-0156 inlet/spout 1½" x 1"	295SA-0137 & 295SAC-0157 inlet/spout 1½" x 1"	295SA-0138 & 295SAC-0158 inlet/spout 1½" x 1½"	295SAJ-0200 & 295SACJ-0200 inlet/spout 1½" x 1½"
19	H08881M	Thrust Bearing	•	•	•		
19	H08889M	Thrust Bearing				•	•
20	H08882M	Lock Ring	•	•	•		
20	H08890M	Lock Ring				•	•
21	H09365M	Retaining Ring	•	•	•		
21	H09366M	Retaining Ring				•	•
22	H12319M	O-Ring, Buna-N	•	•	•		
22	H12320M	O-Ring, Buna-N				•	•
23	H08884M	Bearing	•	•	•		
23	H08892M	Bearing				•	•
24	H06026M	O-Ring	•	•	•		
24	H07670M	O-Ring				•	
24	H11499M	O-Ring					•
25	H05297M	O-Ring	•	•	•		
25	H07766M	O-Ring				•	
25	H10458M	O-Ring					•
26	297SA-9050	Spout S/A	•	•	•		
26	297SA-9060	Spout S/A				•	
26	696J-7010	Spout S/A					•
27	190S-7063	Strainer	•	•	•		
27	153-0910	Strainer				•	
27	153J-0100	Strainer					•
28	H10387	Cap & Chain S/A	•	•	•		
28	H10388	Cap & Chain S/A				•	
28	296CJ-0100	Cap & Chain S/A					•
29	H09212	Body Cap S/A**	•	•	•		
29	H09213	Body Cap S/A**				•	•
30	H05135M	Retainer	•	•	•	•	•
31	H08441RS	Screw	•	•	•	•	•
32	H05087M	Felt Wiper	•	•	•	•	•
33	H05063M	Bushing	•	•	•	•	•
34	C02115A	Cap	•	•	•		
34	C02117A	Cap				•	•
35	H12707M	O-Ring	•	•	•	•	•
36	H12705M	O-Ring	•	•	•	•	•
37	H04825M	Adj. Screw	•	•	•	•	•
38	190WM-8001	Ground Wire S/A	•	•	•	•	•
39	H07062M	Screw (4 req'd)	•	•	•	•	•
40	H06045M	Screws (2 req'd)	•	•	•	•	•
41	H13776M	O-Ring, Viton®				•	•
41	H13775M	O-Ring, Viton®	•	•	•		

** Body Cap sub-assembly includes parts 30-37.

Replacement Parts - OPW 295SAC & 295SACJ Only

Key	Part #	Description	295SAC-0156	295SAC-0157	295SAC-0158	295SACJ-0200
42	H07595M	Spring SST	•	•		
42	H07593M	Spring SST			•	•
43	H07613M	Washer, nylon	•	•	•	•
44	H09214	Poppet S/A	•	•		
44	H09215	Poppet S/A			•	•