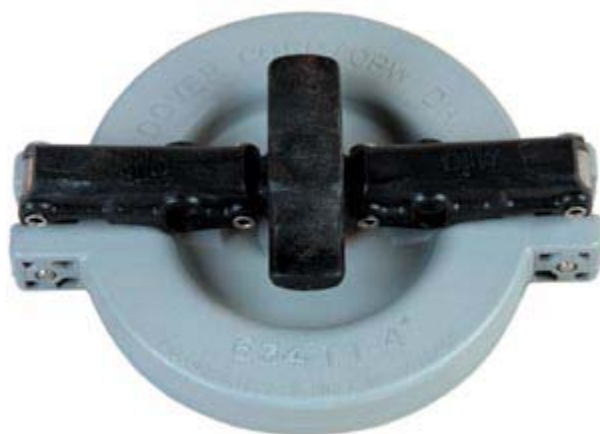


IMPORTANT: OPW products should be used in compliance with applicable federal, state, provincial, and local laws and regulations. Product selection should be based on physical specifications and limitations and compatibility with the environment and materials to be handled. OPW MAKES NO WARRANTY OF FITNESS FOR A PARTICULAR USE. All illustrations and specifications in this literature are based on the latest product information available at the time of publication. OPW reserves the right to make changes at any time in prices, materials, specifications and models and to discontinue models without notice or obligation.



OPW 634TT Tight-Fill Top Seal Caps (634TT-7085-EVR)



Tight-Fill Top-Seal Caps are installed on top seal adaptors, when not in use, to prevent gasoline vapors from escaping and to prevent water, dust and debris from entering the tank.

The OPW 634TT is designed to mate with 4" 633T, 633TE, 61SA, 633TC, and 633TCP Top-Seal Adaptors. Heavy duty and corrosion resistant, the body is made of Duratuff® to help eliminate rust and oxidation for a long, maintenance-free life. The toggle lever distributes downward pressure to compress its Buna-N gasket evenly, assuring a positive, water and vapor-tight seal. The 634TT can be locked with a padlock or wire seal.

OPW 633TE adaptor is similar to the 633T, except it does not have internal wrenching lugs.

Materials

Cap & links: Duratuff®

Pins: stainless steel

Gasket: Buna-N

Color: grey

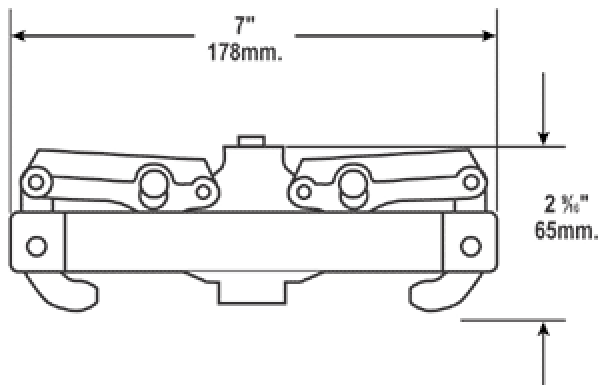
Certified



Product No.	in.	mm.	lbs.	kg.
634TT-7085-EVR	4"	102	1.01	.46

Part No.	Description
H15005M	Buna-N Gasket

Dimensions



OPW 634 TT - Metal

The 634TT-4000 is a metal top-seal cap with the same dimensions as the 634TT-7085.

Product No.	in.	mm.	lbs.	kg.	List Price
634TT-4000	4"	102	1.01	.46	\$32.00

Materials

Cap: die cast zinc (powder coated black)

Lever: Duratuff®

Pins: stainless steel

Gasket: Buna-N