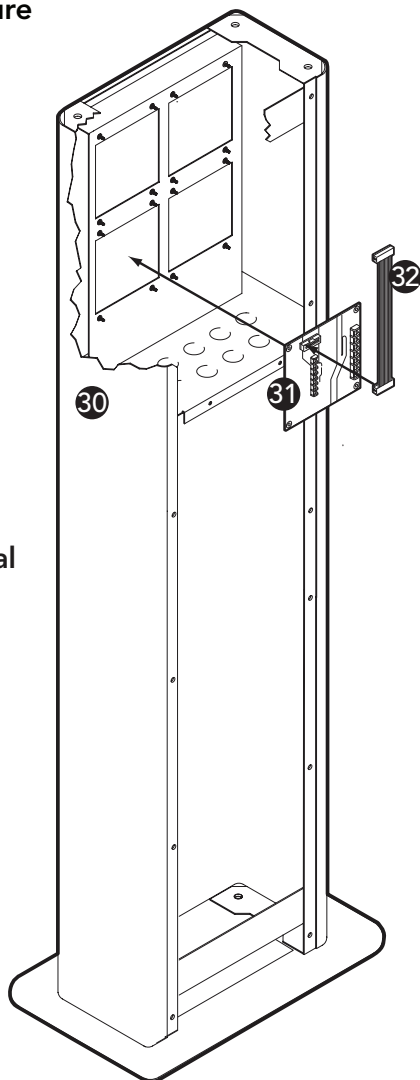


C/OPT Enclosure



C/OPT Pedestal

C/OPT™ FIT Parts

1. C/OPT Door.....	52-1083
2. C/OPT Replacement Printer/Cutter.....	20-4219
3. C/OPT Thermal Receipt Printer Paper.....	54-1106
4. Printer Communications Cable (330 Board).....	20-1547
5. Receipt Paper Spindle.....	50-3086
6. Keypad C/OPT Function Key.....	20-4258
7. Alpha Keypad (4 x 7).....	20-4022
8. Numeric Keypad.....	20-4015
9. C/OPT Graphics Display Assembly.....	20-4223
10. Graphics Display Filter.....	50-3097
11. 2 x 20 Character Display.....	20-4240
12. Door Lock with 2 Keys.....	13-0034
13. C/OPT PV296 Display I/O Board.....	R20-0296-01
14. C/OPT PV330 Controller Board – Magnetic Card.....	R20-4238-01
C/OPT PV330 Controller Board – Optical Card.....	R20-4238-02
15. Track 1 and 2 Magnetic Card Reader.....	20-4237-01
16. Printer Communications Cable (343 Board).....	20-1621
17. ChipKey® Reader.....	20-4117
18. KR16 Card Reader Assembly.....	R20-4050
19. Magnetic Reader Cable (Position 2) (330 Board).....	20-1541
20. Magnetic Reader Cable (Position 2) (343 Board).....	20-1624
21. Manual Magnetic Reader Cable (Position 1).....	20-1540
22. ChipKey Reader Cable (330 Board).....	20-1543
23. KR16 Cable (330 Board).....	20-1542
24. Heater Assembly.....	20-4224
25. C/OPT Power Supply Chassis (330 Board).....	20-4222
26. C/OPT Power Supply Chassis (343 Board).....	20-4284
27. ChipKey Reader Cable (343 Board).....	20-1625
28. KR16 Cable (343 Board).....	20-1623
29. C/OPT PV343 Controller Board.....	R20-0343-01
30. C/OPT Pedestal.....	20-4145
31. PV270 System2 Pump Relay Board.....	R20-0270
32. PV268 to Relay Board Cable.....	20-1453
33. PCM Master Board (Pedestal Mount).....	20-4404-01
34. PCM Slave Board.....	20-4405
35. PCM Slave Master Board (Not Shown) (Remote Cabinet).....	20-4404-04
36. PV268 PCT Board.....	R20-0268