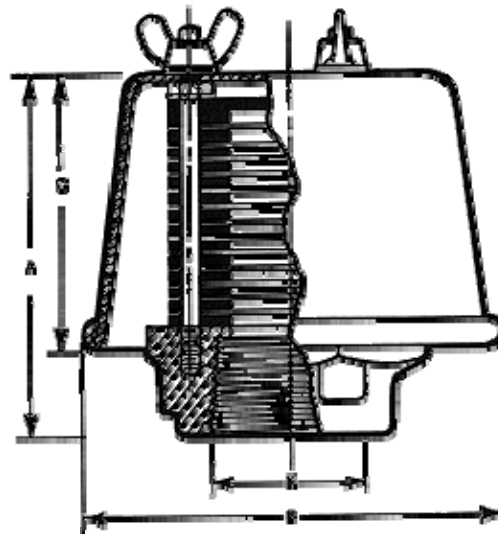




PROTECTOSEAL®
SAFETY WITHOUT COMPROMISE

SPECIFICATIONS

**Series No. 670/6670
 Flame Arrester**



DIMENSIONS

| Catalog Number* | K Pipe Size | A Height | B Width | C Length |
|-----------------|--------------------|--------------------|--------------------|---------------------|
| **671 | 1" NPT 25.4 mm | 2 7/8" 73.0 mm | 8 3/8" 86.7 mm | 2 3/16" 33.0 mm |
| ***672 | 2" NPT 50.8 mm | 4 3/8" 117.8 mm | 8 1/8" 146.6 mm | 4" 101.6 mm |
| ***673B | 3" NPT 76.2 mm | 7 3/8" 187.3 mm | 7 1/2" 165.1 mm | 6 5/16" 166.7 mm |
| **674 | 4" NPT 101.6 mm | 8 3/4" 171.8 mm | 8 1/2" 215.9 mm | 8 1/2" 199.7 mm |

- * Catalog numbers indicate all aluminum construction.
- ** Add prefix "F" for all Stainless Steel construction.
- *** Add prefix "FF" for all stainless steel construction.

Dimensions shown are for reference only. Contact factory for certified drawings.

Mascott Equipment Co
 Portland Seattle Pasco
 (800) 452-5019 (800) 481-7311 (888) 450-7867