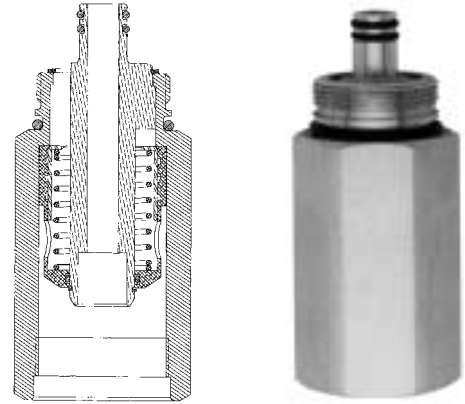


RICHARDS FRVAD VAC-ASSIST FLOW REGULATOR

Vacuum Assist Flow Regulator for E.P.A. 10 G.P.M. Regulation

The FRVAD Flow Regulator is a Vacuum Assist model with the same internal "smart sensor" as the FR75D & FR75N to regulate the fuel flow at or just below 10 g.p.m. as mandated by the E.P.A. rule. The FRVAD installs at the dispenser, which adds no nuisance weight for the consumer and is in a non-abusive position for longer life.



Features:

- ◆ Lightweight
- ◆ Maintenance Free
- ◆ Easy to Install
- ◆ Listed by Underwriters Laboratories, Inc.
- ◆ CARB Certified



Ordering Specifications

Product #	Description
FRVAD	Vac-Assist Flow Regulator

RICHARDS MFVA INVERTED SWIVEL

MFVA Inverted Swivel

The Richards MFVA Inverted Swivel is designed for vapor recovery applications where easy nozzle and hose handling is important for customer convenience. When attached between the nozzle and the hose, the Richards MFVA two-plane swivel allows your customer a much fuller range of motion in positioning the nozzle to fill the vehicle. Your customer can access the fillpipe from virtually any angle with minimal effort.

The Richards MFVA attaches between the hose and the nozzle to reduce strain, providing flexibility so fueling hoses last longer. The Richards MFVA provides 360 degree swivel action for easy nozzle positioning into the fillpipe.

Features:

- ◆ **Easier hose movement** - Filling the vehicle is much easier, because hoses do not kink and are much freer to move.
- ◆ **Improved wear** - Reduces stress and wear on hoses.

- ◆ **Two-plane rotation** - The first swivel plane allows for 360 degrees of motion perpendicular to the axis of the nozzle.
- ◆ **The second swivel plane allows for 360 degrees of motion parallel to the axis of the nozzle** - for easy nozzle positioning in the fillpipe.
- ◆ **Certification** - Certified with any inverted hose system.
- ◆ **Compact, attractive profile** - Provides a sleek, modern appearance, allowing hoses to hang straight down instead of at an angle.
- ◆ **Secure design** - Not repairable or rebuildable for certainty of operation. Every Richards MFVA is factory assembled and tested.
- ◆ **Special swivel outlet design** - The male adaptor is specially designed so that tightening of the threaded joint will not inhibit swivel rotation.
- ◆ **Listed by Underwriters Laboratories, Inc.**
- ◆ **CARB Certified**



Materials

Inlet Body: aluminum
 Outlet Body: brass with nickel plate
 Swivel Nut: steel-zinc plate
 Seals: Buna-N/Viton/Flourosilicone
 Bearing: nylon
 Weight: .88 lbs., .41 kgs.

Ordering Specifications

Product #	Inlet/Outlet	Length	Depth
MFVA	M34 Threads	5 1/2"	3"
		138 mm.	76 mm.