



XP Clamshell Swivel Pipe Fittings

When using APT product piping, continuous runs eliminate the need for in-line joints. Installers make connections inside accessible containment sumps using APT's swivel fittings. These fittings are manufactured from solid brass or stainless steel with two Viton O-rings protected in grooves located on the inside of the connector. Plated clamps secure the fittings to the pipe. XP Series pipe clamps are labeled XP for easy identification.

Note: Use only XP Series fittings with XP piping.

Features & Benefits

Feature

- No special tools required.

Benefit

- No project delays when swage machine is inoperative.

Feature

- NPT Threads.

Benefit

- Fast and secure installation.
- Fittings available locally.
- Field proven.



Brass Swivels

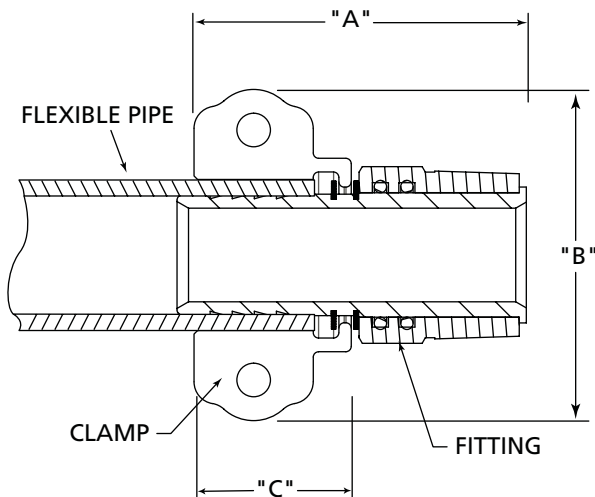
MODEL	DESCRIPTION
MS-XP-150-150	Installs on the end of 1 1/2" single/secondary contained XP pipe with 1 1/2" NPT
MS-XP-175-200	Installs on the end of 1 3/4" single/secondary contained XP pipe with 2" NPT
MS-XP-200-200	Installs on the end of 2" single/secondary contained XP pipe with 2" NPT

Stainless Steel Swivels

MODEL	DESCRIPTION
MS-XP-150-150SS	Installs on the end of 1 1/2" single/secondary contained XP pipe with 1 1/2" NPT
MS-XP-175-200SS	Installs on the end of 1 3/4" single/secondary contained XP pipe with 2" NPT
MS-XP-200-200SS	Installs on the end of 2" single/secondary contained XP pipe with 2" NPT

Male Swivel - XP Series

MODEL	DIM. "A"	DIM. "B"	DIM. "C"
MS-XP-150-150	4.00"	4.00"	1.75"
MS-XP-175-200	4.00"	4.00"	1.75"
MS-XP-200-200	4.50"	4.75"	2.25"



Mascott Equipment Co

Portland Seattle Pasco

(800) 452-5019 (800) 481-7311 (888) 450-7867



XP Clamshell Non-Swivel Pipe Fittings



APT non-swivel pipe fittings are constructed of one piece solid brass or stainless steel provide the same high quality and environmental security as the APT's swivel fittings, at a more economical price. XP Series clamps are blue and labeled XP for easy identification.

Note : Use only XP Series fittings with XP piping.



Features & Benefits

Feature

- One piece solid brass construction.

Benefit

- An economical fitting solution.

Feature

- NPT Threads.

Benefit

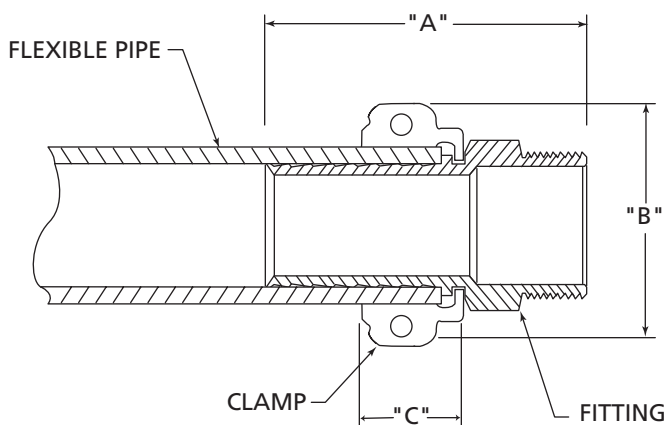
- Fast and secure installation.
- Fittings available locally.
- Field proven.

Brass Swivels

MODEL	DESCRIPTION
MN-XP-100-100	Installs on the end of 1" single/secondary contained single/secondary contained XP pipe with 1" NPT
MN-XP-150-150	Installs on the end of 1 1/2" single/secondary contained XP pipe with 1 1/2" NPT
MN-XP-175-200	Installs on the end of 1 3/4" single/secondary contained XP pipe with 2" NPT
MN-XP-200-200	Installs on the end of 2" single/secondary contained XP pipe with 2" NPT

Stainless Steel Swivel

MODEL	DESCRIPTION
MN-XP-100-100SS	Installs on the end of 1" single/secondary contained single/secondary contained XP pipe with 1" NPT



Male Non-Swivel - XP Series

MODEL	DIM. "A"	DIM. "B"	DIM. "C"
MN-XP-100-100SS	3.00"	3.00"	1.50"
MN-XP-150-150	4.00"	3.75"	1.75"
MN-XP-175-200	4.00"	4.00"	1.75"
MN-XP-200-200	4.25"	4.75"	2.25"

