

XP Clamshell Non-Swivel Pipe Fittings



APT non-swivel pipe fittings are constructed of one piece solid brass or stainless steel provide the same high quality and environmental security as the APT's swivel fittings, at a more economical price. XP Series clamps are blue and labeled XP for easy identification.

Note : Use only XP Series fittings with XP piping.



Features & Benefits

Feature

- One piece solid brass construction.

Benefit

- An economical fitting solution.

Feature

- NPT Threads.

Benefit

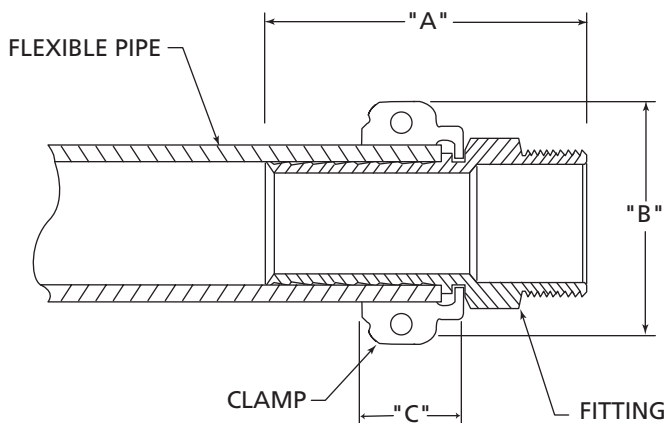
- Fast and secure installation.
- Fittings available locally.
- Field proven.

Brass Swivels

MODEL	DESCRIPTION
MN-XP-100-100	Installs on the end of 1" single/secondary contained single/secondary contained XP pipe with 1" NPT
MN-XP-150-150	Installs on the end of 1 1/2" single/secondary contained XP pipe with 1 1/2" NPT
MN-XP-175-200	Installs on the end of 1 3/4" single/secondary contained XP pipe with 2" NPT
MN-XP-200-200	Installs on the end of 2" single/secondary contained XP pipe with 2" NPT

Stainless Steel Swivel

MODEL	DESCRIPTION
MN-XP-100-100SS	Installs on the end of 1" single/secondary contained single/secondary contained XP pipe with 1" NPT



Male Non-Swivel - XP Series

MODEL	DIM. "A"	DIM. "B"	DIM. "C"
MN-XP-100-100SS	3.00"	3.00"	1.50"
MN-XP-150-150	4.00"	3.75"	1.75"
MN-XP-175-200	4.00"	4.00"	1.75"
MN-XP-200-200	4.25"	4.75"	2.25"

Mascott Equipment Co

Portland Seattle Pasco

(800) 452-5019 (800) 481-7311 (888) 450-7867

