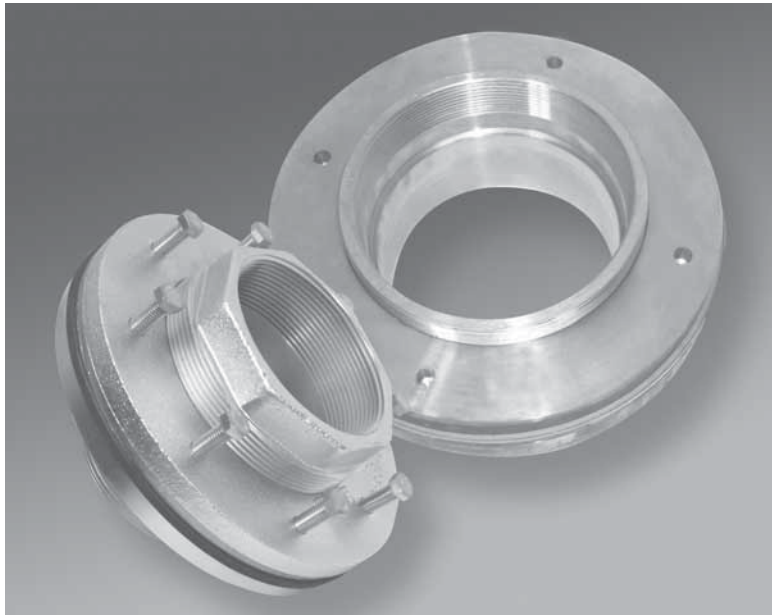




Tank Fitting Adaptors

APT tank fitting adaptors provide a high quality, cost effective way to mount tank sumps to a standard 4" NPT tank opening or 6" NPT tank opening. The bright zinc plated cast iron construction is not only strong, but corrosion resistant.

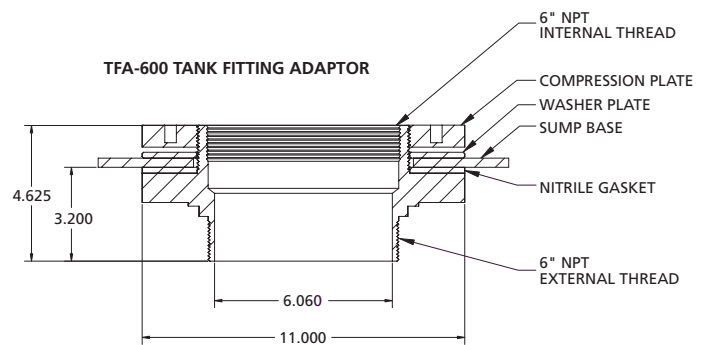
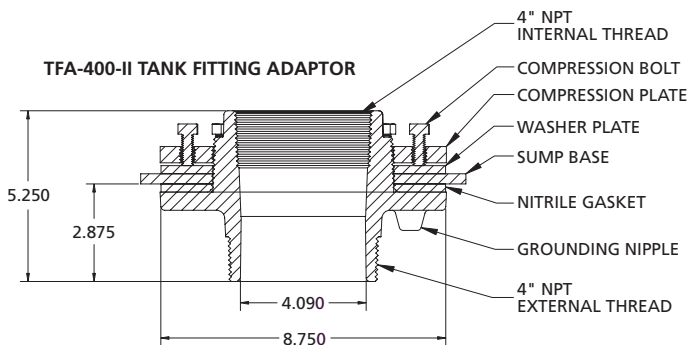
The TFA-400-II and TFA-600 is easy to install and its single hole style mounting allows the sump to be rotated to properly align pipe entries.



Design Highlights & Advantages

- Easy installs with standard tools.
- TFA-400-II fits onto a standard 4" NPT tank riser pipe with 4" NPT internal threads for mounting a submersible pump.
- TFA-600 fits onto a standard 6" NPT tank riser pipe with 6" NPT internal threads for mounting a submersible pump.
- Installs through one hole in the sump base, which permits the sump to be rotated on the adapter to properly align pipe penetrations.
- Compression ring design allows installation with a solid gasket ring to ensure a water-tight seal and environmental security.

MODEL	DESCRIPTION
TFA-400-II	Tank Fitting Adapter generation II, 4.00" NPT
TFA-600	Tank Fitting Adapter, 6.00" NPT
411-105-02	Compression plate for TFA-400-11
420-200-02	Plate Washer TFA-400-11
446-100-02	Gasket for TFA-400-11



Mascott Equipment Co

Portland Seattle Pasco

(800) 452-5019 (800) 481-7311 (888) 450-7867