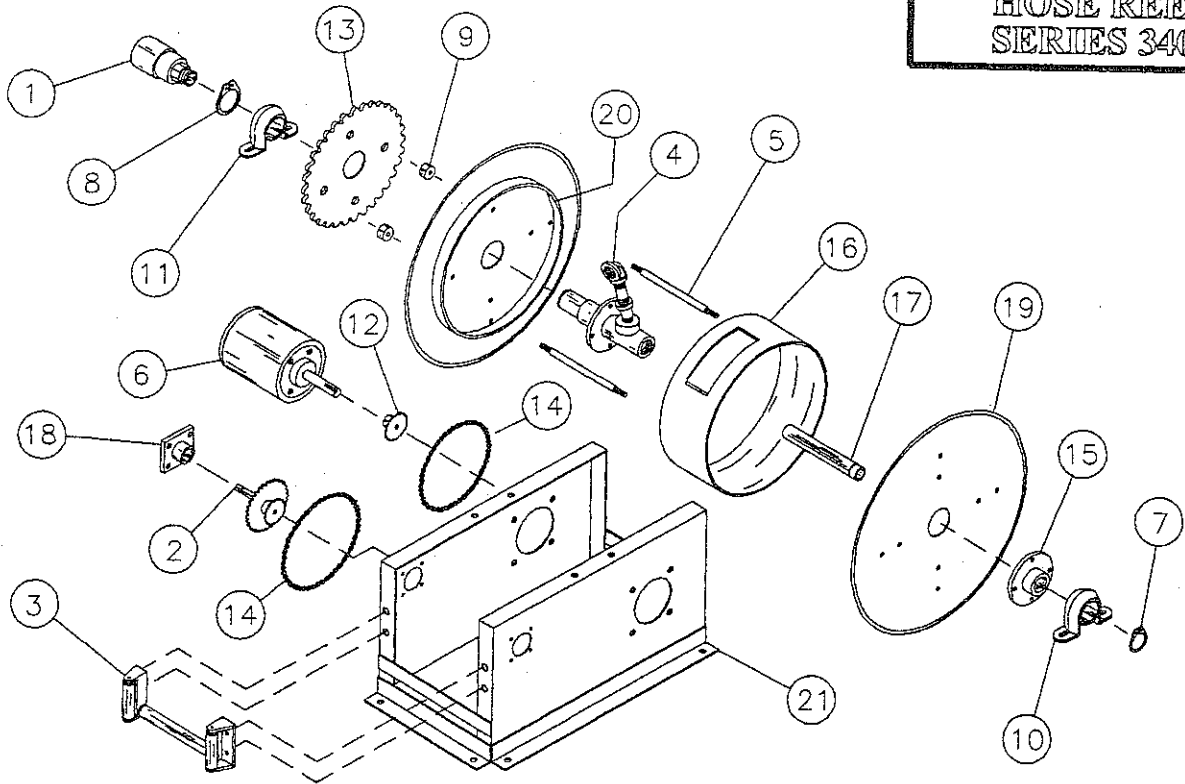


HOSE REEL SERIES 3400



PARTS LIST

* MODEL NUMBER MUST BE KNOWN TO CLARIFY PART NUMBER
USE HOSE & CORD CATALOG FOR REPLACEMENTS

NO.	PART#	DESCRIPTION	MODEL	NO.	PART#	DESCRIPTION	MODEL
1*	020-10	SWIVEL JOINT 1	3401,3402	13*	029-05	GEAR 60 TOOTH *	3403,3404,3405,3406 3407,3408,3409,3410
	SA-05	SWIVEL JOINT 1 1/2	3403,3404,3405,3406 3407,3408,3409,3410	14	029-09	CHAIN 7'-6"	ALL
2	SA-08	GEAR INTERMEDIATE 12/36	ALL	15	055-33	AXLE FLANGE	ALL
3	SA-19	ROLLER CASTING	OPTION	16*	066-12	REEL DRUM 12 x 12	3401,3403,3405,3407 3409
4*	SA-30	AXLE ASSEMBLY 1	3401,3402		066-14	REEL DRUM 20 x 12	3402,3404,3406,3408 3410
	SA-34	AXLE ASSEMBLY 1 1/4	3403,3404,3405,3406	17*	067-02	AXLE SHAFT (B)	3401,3403,3405,3407 3409
	SA-35	AXLE ASSEMBLY 1 1/2	3407,3408,3409,3410		067-04	AXLE SHAFT (D)	3402,3404,3406,3408 3410
5*	018-22	TIE ROD 13"	3401,3403,3405,3407 3409	18	068-09	BEARING PLATE	ALL
	018-23	TIE ROD 21"	3402,3404,3406,3408 3410	19*	070-35	REEL DISC 24"	3403,3404,3407,3408
6*	019-32	DC EXPLOSION PROOF	ALL		070-36	REEL DISC 30"	3401,3402,3405,3406 3409,3410
	019-33	AC EXPLOSION PROOF	ALL	20	070-46	DRUM SUPPORT 12"	ALL
	019-40	AIR-MOTOR	ALL	21*	071-43	BASE ASSEMBLY 22x15x12	3403,3407
7	022-05	RETAINING RING 1 1/4	ALL		071-44	BASE ASSEMBLY 22x23x12	3404,3408
8	022-06	RETAINING RING 1 1/2	3401,3402,3403,3404 3405,3406,3407,3408 3409,3410		071-45	BASE ASSEMBLY 28x15x14.5	3401,3405,3409
9	024-12	SPACER	ALL		071-46	BASE ASSEMBLY 28x23x14.5	3402,3406,3410
10	027-01	BEARING 1 1/4	ALL	NOTES:			
11*	027-02	BEARING 1 1/2	3401,3402				
	027-03	BEARING 1 3/4	3403,3404,3405,3406 3407,3408,3409,3410				
12	029-01	GEAR 12 TOOTH	ALL				
13*	029-04	GEAR 48 TOOTH	3401,3402				