

Instructions – Parts List



PRE-SET WITH AUTOMATIC SHUTOFF

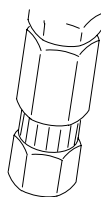
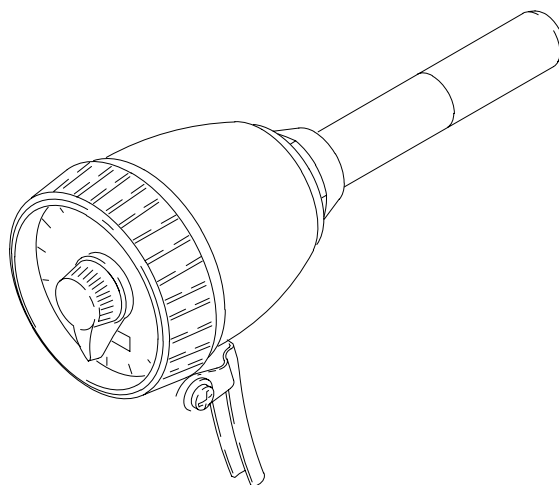
Metered Dispensing Valves

306976L

1000 psi (70 bar) Maximum Working Pressure



Read warnings and instructions.
See page 2 for **Table of Contents** and **List of Models**.



PROVEN QUALITY. LEADING TECHNOLOGY.

GRACO INC. P.O. BOX 1441 MINNEAPOLIS, MN 55440-1441
Copyright 1993, Graco Inc. is registered to I.S. EN ISO 9001

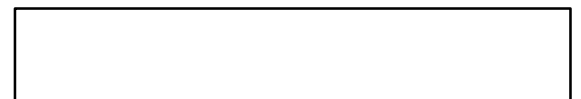


Table of Contents

List of Models	2
Symbols and Warnings	3
Operation	4
Service	5
Parts	5
Dimensions	5
Graco Warranty	6
Graco Information	6

List of Models

Automatic Shutoff Models

These totalizing meters shut off automatically when the pre-set amount has been dispensed.

Fluid	Model No.	Capacity	Totalizes In
Oil	207738	60 Quarts	Gallons
Oil	207739	60 Gallons	Gallons
Oil	207742	60 Liters	Liters

Symbols

Warning Symbol






This symbol alerts you to the possibility of serious injury or death if you do not follow the instructions.

Caution Symbol



This symbol alerts you to the possibility of damage to or destruction of equipment if you do not follow the instructions.

 WARNING	
 <small>INSTRUCTIONS</small>	<p>EQUIPMENT MISUSE HAZARD</p> <p>Equipment misuse can cause the equipment to rupture or malfunction and result in serious injury.</p> <ul style="list-style-type: none"> ● This equipment is for professional use only. ● Read all instruction manuals, tags, and labels before operating the equipment. ● Use the equipment only for its intended purpose. If you are not sure, call Graco Technical Assistance at 1-800-533-9655. ● Do not alter or modify this equipment. ● These valves have a 1000 psi (70 bar) Maximum Working Pressure rating. Do not exceed the maximum working pressure of the lowest rated system component. ● Comply with all applicable local, state, and national fire, electrical, and safety regulations.
	<p>INJECTION HAZARD</p> <p>Spray from the dispensing valve, leaks or ruptured components can inject fluid into your body and cause extremely serious injury, including the need for amputation. Fluid splashed in the eyes or on the skin can also cause serious injury.</p> <ul style="list-style-type: none"> ● Fluid injected into the skin may look like just a cut, but it is a serious injury. Get immediate medical attention. ● Do not point the dispensing valve at anyone or at any part of the body. ● Do not put your hand or fingers over the end of the dispensing valve. ● Do not stop or deflect leaks with your hand, body, glove or rag. ● Follow the Pressure Relief Procedure below before cleaning, checking or servicing the equipment. ● Check the hoses, tubes, and couplings daily. Replace worn or damaged parts immediately. Do not repair high pressure couplings; you must replace the entire hose.

Operation

Pressure Relief Procedure

WARNING



PRESSURIZED EQUIPMENT HAZARD

The equipment stays pressurized until pressure is manually relieved. To reduce the risk of serious injury from pressurized fluid, accidental spray from the dispenser or splashing fluid, follow the **Pressure Relief Procedure** whenever you

- Are instructed to relieve pressure
- Check, clean, or service any system equipment
- Install or clean fluid nozzles

1. Turn off the power supply to the pump.
2. Trigger the valve into a waste container to relieve pressure.
3. Open any bleed-type master air valves and fluid drain valves in the system.
4. Leave the drain valve open until you have completed repairs and are ready to pressurize the system.

Pre-set Automatic Shutoff Valve

The totalizer keeps a running total of the amounts dispensed.

1. Set the meter to the desired number of units. See Fig. 1.

2. Insert the nozzle (19) into the fluid receptacle and pull the trigger. The trigger latches automatically.
3. The valve shuts off automatically when the correct amount of fluid has been dispensed. The totalizer records the amount dispensed.
4. To manually stop the meter: Depress the lever located under the locking bar and raise the locking bar. Trigger the valve to complete the dispense.
5. To use the valve as a manual shutoff valve: Push the toggle switch, located on the face of the meter, to the other side.

CAUTION

Never turn the pointer backwards to avoid costly meter damage.

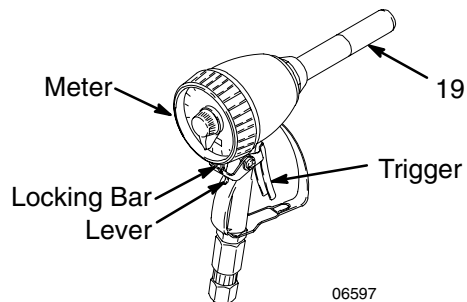


Fig 1

06597

Service

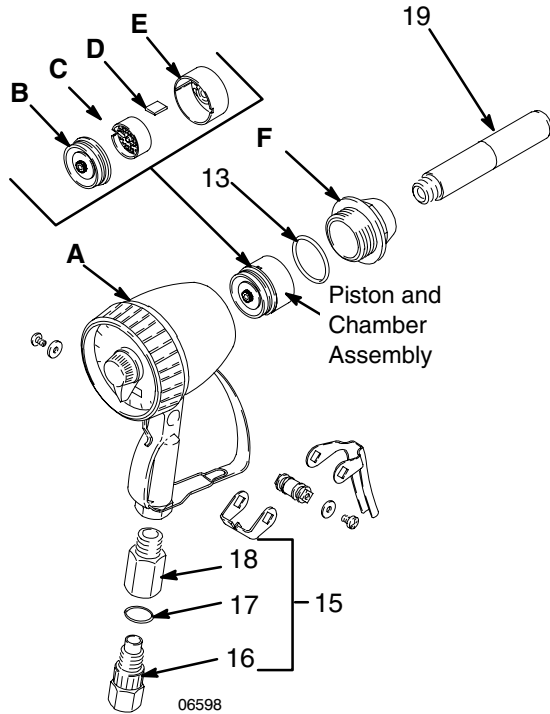


Fig 2

To inspect or clean the meter

Screw the meter cap (F) out of the housing (A). Remove the o-ring (13), piston and chamber assembly, and the planet gear. See Fig 2.

Insert a screwdriver into the notch of the chamber assembly and pry off the chamber top (B). See Fig 3. Remove all parts.

Clean the parts and blow them dry. Carefully inspect all parts. Examine the outer surface of the piston and the inner surface of the chamber for pitting or scoring. If any parts are worn or damaged, replace the complete chamber and piston assembly.

Reassemble the meter. Insert the piston chamber so the slot (E) straddles the partition plate (D). Install the top chamber (B) and turn the small gear until the piston (C) engages with the pawl. Place the piston and chamber assembly into the housing and turn it to be sure the gears mesh. With the o-ring (13) in place, tighten the cap (F) firmly into the housing (A).

No other parts are user repairable. If your meter still does not work, return it to Graco for repair.

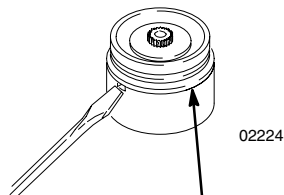


Fig 3 PRY OFF CHAMBER TOP

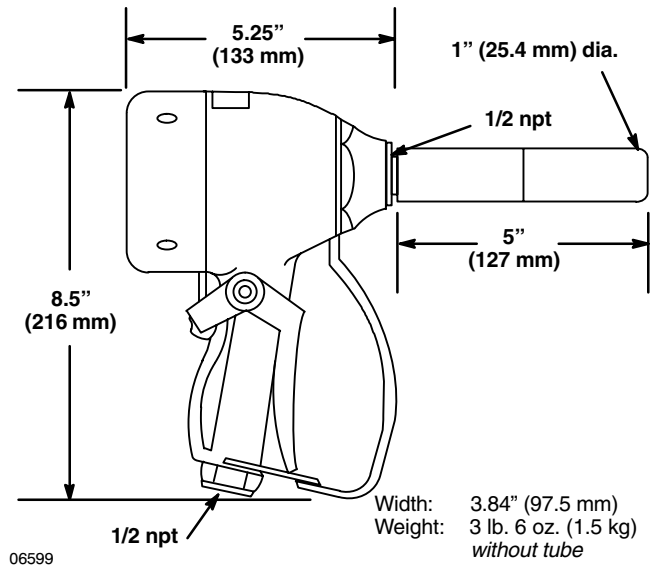
Parts

Model No.	Uses Bare Valve No.
207738	103156
207739	103157
207742	103160

The valve models include the bare valve specified in the chart above and replaceable items 13, 15–19 in the parts list.

REF NO.	PART NO.	DESCRIPTION	QTY
13	157195	SEAL, o-ring, bare valves 103156 & 103160 only	1
15	208306	SWIVEL, 1/2 npt (m x f) Includes items 16–18	1
16	202994	.VALVE SWIVEL, 1/2" npt(f)	1
17	155500	.O-RING, nitrile rubber	1
18	169480	.ADAPTER, 1/2 npt(m)	1
19	207745	NON-DRIP NOZZLE	1

Dimensions



Graco Standard Warranty

Graco warrants all equipment manufactured by Graco and bearing its name to be free from defects in material and workmanship on the date of sale by an authorized Graco distributor to the original purchaser for use. With the exception of any special, extended, or limited warranty published by Graco, Graco will, for a period of twelve months from the date of sale, repair or replace any part of the equipment determined by Graco to be defective. This warranty applies only when the equipment is installed, operated and maintained in accordance with Graco's written recommendations.

This warranty does not cover, and Graco shall not be liable for general wear and tear, or any malfunction, damage or wear caused by faulty installation, misapplication, abrasion, corrosion, inadequate or improper maintenance, negligence, accident, tampering, or substitution of non-Graco component parts. Nor shall Graco be liable for malfunction, damage or wear caused by the incompatibility of Graco equipment with structures, accessories, equipment or materials not supplied by Graco, or the improper design, manufacture, installation, operation or maintenance of structures, accessories, equipment or materials not supplied by Graco.

This warranty is conditioned upon the prepaid return of the equipment claimed to be defective to an authorized Graco distributor for verification of the claimed defect. If the claimed defect is verified, Graco will repair or replace free of charge any defective parts. The equipment will be returned to the original purchaser transportation prepaid. If inspection of the equipment does not disclose any defect in material or workmanship, repairs will be made at a reasonable charge, which charges may include the costs of parts, labor, and transportation.

THIS WARRANTY IS EXCLUSIVE, AND IS IN LIEU OF ANY OTHER WARRANTIES, EXPRESS OR IMPLIED, INCLUDING BUT NOT LIMITED TO WARRANTY OF MERCHANTABILITY OR WARRANTY OF FITNESS FOR A PARTICULAR PURPOSE.

Graco's sole obligation and buyer's sole remedy for any breach of warranty shall be as set forth above. The buyer agrees that no other remedy (including, but not limited to, incidental or consequential damages for lost profits, lost sales, injury to person or property, or any other incidental or consequential loss) shall be available. Any action for breach of warranty must be brought within two (2) years of the date of sale.

Graco makes no warranty, and disclaims all implied warranties of merchantability and fitness for a particular purpose in connection with accessories, equipment, materials or components sold but not manufactured by Graco. These items sold, but not manufactured by Graco (such as electric motors, switches, hose, etc.), are subject to the warranty, if any, of their manufacturer. Graco will provide purchaser with reasonable assistance in making any claim for breach of these warranties.

In no event will Graco be liable for indirect, incidental, special or consequential damages resulting from Graco supplying equipment hereunder, or the furnishing, performance, or use of any products or other goods sold hereto, whether due to a breach of contract, breach of warranty, the negligence of Graco, or otherwise.

FOR GRACO CANADA CUSTOMERS

The parties acknowledge that they have required that the present document, as well as all documents, notices and legal proceedings entered into, given or instituted pursuant hereto or relating directly or indirectly hereto, be drawn up in English. Les parties reconnaissent avoir convenu que la rédaction du présente document sera en Anglais, ainsi que tous documents, avis et procédures judiciaires exécutés, donnés ou intentés à la suite de ou en rapport, directement ou indirectement, avec les procédures concernées.

Graco Information

TO PLACE AN ORDER, contact your Graco distributor, or call one of the following numbers to identify the distributor closest to you:

1-800-533-9655 Toll Free

612-623-6928

612-378-3590 Fax

Sales Offices: Minneapolis, Detroit

International Offices: Belgium, Korea, Hong Kong, Japan

www.graco.com

PRINTED IN U.S.A. 306976 02/1991 Revised 05/2003