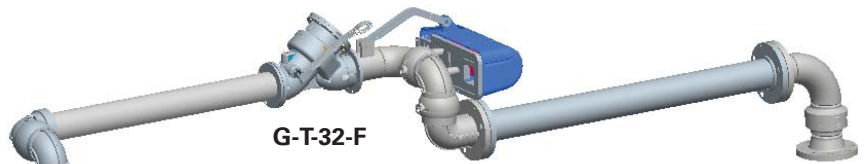


Unsupported Boom Arm GT-32-F

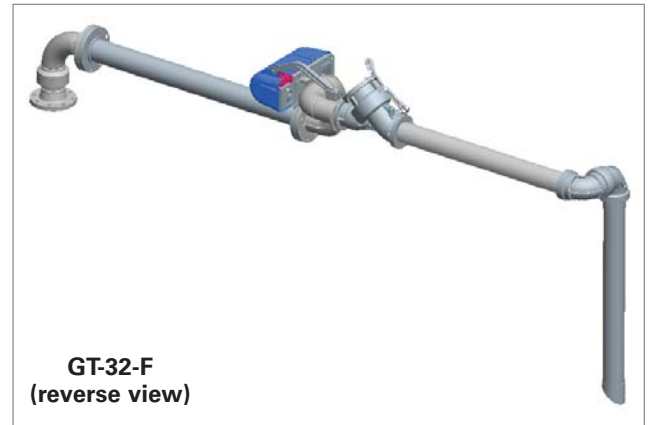
The unsupported boom arm is an excellent alternative for variable reach applications, especially in larger sizes where the outboard components are relatively heavy. It can be modified for closed system loading and unloading, and is available in various design configurations to meet the needs of virtually any installation.

This popular style loader is designed for those installations where it is undesirable or impractical to mount a supported boom arm. For example, many railcar sites have no support columns or overhead structures to which a supported boom can be attached.

The unsupported boom arm offers the same advantages as the supported boom arm, but maximum reach is somewhat less. It provides good flexibility for mis-spotting, and can be folded back against the rack for convenient, compact storage. When necessary, increasing the size of the base joint, or using a heavy-duty split flange swivel at the inlet, can extend total reach.



G-T-32-F



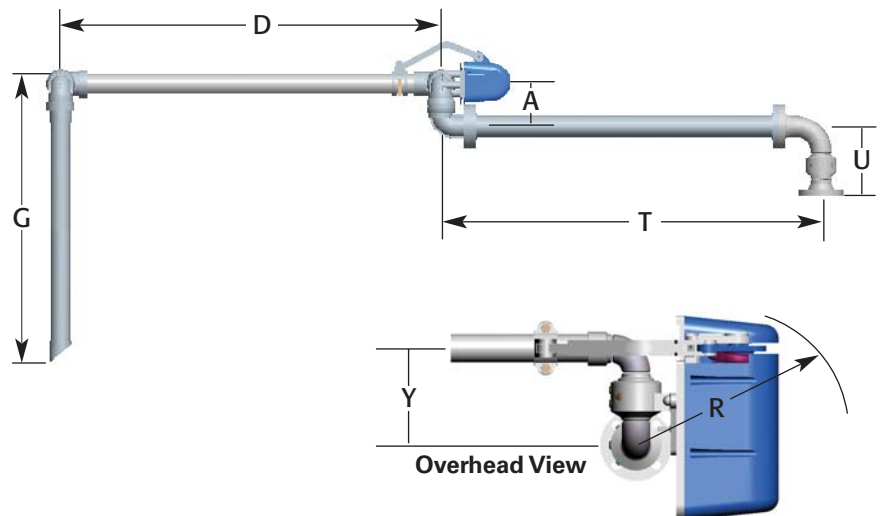
GT-32-F
(reverse view)

Benefits

- Optional valving allows liquid to be held in the line
- Long reach compensates for mis-spotting
- Compact storage

Features

- Available in 2", 3" and 4"
- Available in carbon steel, stainless steel, aluminum and specialty alloys
- Choice of flanged, threaded or all-welded construction



Overhead View

Dimensions*

Size	A		D		G		T		U		R		Y		
	in.	mm	in.	mm	in.	mm	in.	mm	in.	mm	in.	mm	in.	mm	
2"	51	8-1/8	206	78	1981	48	1219	48	1219	8-5/8	219	17	432	8-1/8	206
3"	76	10-3/4	273	78	1981	48	1219	48	1219	10-1/2	267	18-1/2	470	10-3/4	273
4"	102	12-3/4	324	78	1981	48	1219	48	1219	11-3/4	298	20	508	12-3/4	324

*Custom dimensions also available.