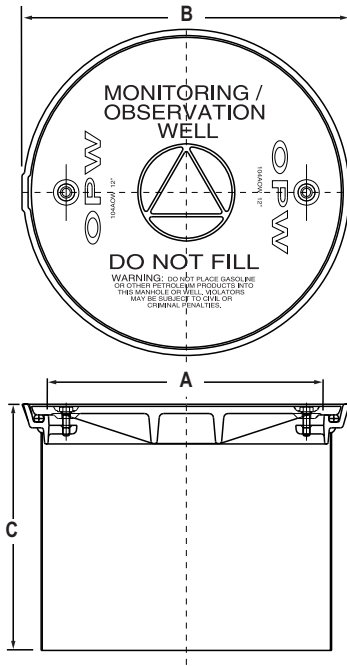




OPW Monitoring/ Observation Well Manholes

Monitoring/observation well manholes are designed to be installed at grade level over a slotted PVC monitoring well where limited access and clear identification are essential.



Dimensions

Product #	A		B		C	
	in.	mm	in.	mm	in.	mm
104AOW-0800	8"	203	10 1/4"	257	11 1/4"	286
104AOW-1200	12"	305	14 1/4"	362	11 1/4"	286
104AOW-1219	12"	305	14 1/4"	362	19 1/4"	489
104AOW-1800	18"	457	20 1/4"	511	11 1/4"	286
104AOW-1819	18"	457	20 1/4"	511	19 1/4"	489

Materials

- Body ring:** cast iron
- Cover:** cast iron
- Skirt:** steel (104 AOW/MW)
- Gasket:** neoprene



104AOW-1200

Features

- ◆ **"DO NOT FILL" Graphic Warning Statement** - Permanently cast into cover with black equilateral triangle inset into a white background in accordance with API Recommended Practices 1615.
- ◆ **Secure Cover** - Two recessed, self-aligning stainless steel bolts with O-rings secure cover to the body ring.
- ◆ **Prevention Against Surface Water Contamination** - A gasket located in the ring prevents contamination from rain water or during washdown.
- ◆ **Maximum Load Bearing Capacity** - Cast iron covers and body rings are heavily ribbed to ensure maximum load bearing capacity.
- ◆ **Trouble-Free Installation** - Sturdy steel skirts extend nearly a foot below grade to ensure trouble-free installation even in deep concrete.
- ◆ **Optional Skirts** - Extend a full 19 1/4" below grade in 12" and 18" diameter models for sandy soil locations.
- ◆ **Unpainted Covers and No Bolt-Down Provisions Available** - On the 104MW for monitoring well applications where limited access is not required.
- ◆ **Cast Iron Interference Bars** - To prevent entry of a delivery elbow, in lieu of bolt-down cover. Available on 104AOW-1212 models.
- ◆ **Full-Size Internal Diameters for Maximum Access and Working Area.**
- ◆ **Highway 20 Rated (H20)** - All OPW spill containers and manholes exceed the requirements of the Highway 20 rating.
- ◆ **Individually Boxed for Ease of Handling.**

Ordering Specifications

Product #	ID (in.)	ID (mm)	lbs.	kg
104AOW-0800	8	203	15	6.8
104AOW-1200	12	305	28	12.7
104AOW-1212*	12	305	36	16.4
104AOW-1219	12	305	33	15.0
104AOW-1800	18	457	50	22.7
104AOW-1819	18	457	57	25.9

* Cast iron interference bars

Replacement Parts

Part #	Description
E00514I	Cover for 8" 104AOW-0800
E00515I	Cover for 12" 104AOW-1200
E00299M	Cover for 12" 104AOW-1212
E00514I	Cover for 8" 104MW-0800
E00516I	Cover for 18" 104AOW-1800
H12872M	Gasket for 104AOW 8"
H12873M	Gasket for 104AOW 12"
H12874M	Gasket for 104AOW 18"



Mascott Equipment Co

Portland

Seattle

Pasco

(800) 452-5019

(800) 481-7311

(888) 450-7867